



Size Range

92 x 92 x 38 mm
BDC AXIAL FAN

3,62 x 3,62 x 1,5 "

TECHNICAL DATA

Characteristics

- Weight: 0,37 Kg / 0,82 Lb
- Housing in plastic UL 94 V-0
- Impeller in plastic UL 94 V-0
- L-10 life expectancy at 40°C: 25.000 hours
- Operating temperature range: -40 / +70 °C
- Storage temperature: -40 / +85°C
- Connection: Leads
- Brushless DC motor
- Integrated circuit
- IP20

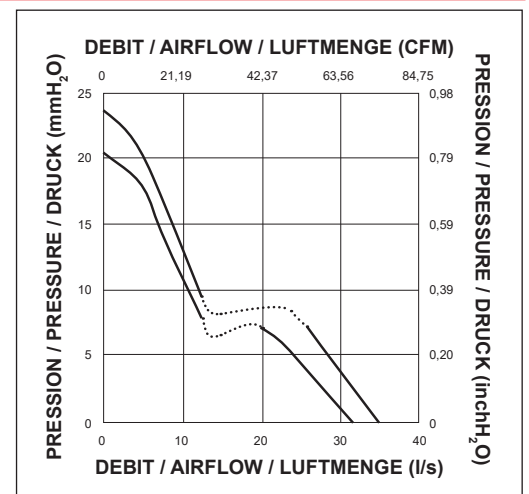
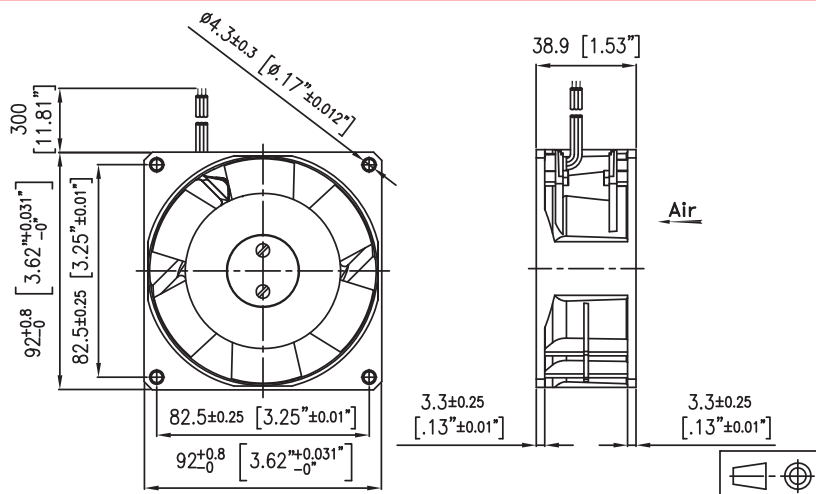
Options

- Speed sensor
- Alarm
- Other IP levels
- Salt spray protection
- Shocks and vibrations protection
- Marine application
- Wide temperature range
- Other voltages
- Others speeds

ELECTRICAL AND AERAILIC DATA

Part Number	Voltage	Voltage range	Airflow		Pressure		Nominal speed	Noise level LP	Nominal current	power
	V		l/s	CFM	mm H ₂ o	inch H ₂ o	RPM	dBa	mA	W
99YH2LP11000 NR	24	21,6-26,4V	31,40	66,57	20,19	0,79	5500	52	323	7,75
99YS2LP11000 NR	24	21,6-26,4V	35,30	74,84	23,96	0,94	6060	55	420	11,70

DRAWING AND AIRFLOW CURVE



Non contractual document. All specifications are subject to change without prior notice. For professional use only. Please refer to the conditions of use of our catalogue.