



Size 92 x 92 x 25 mm 3,62 x 3,62 x 1 "
 Range 400Hz AXIAL FAN

TECHNICAL DATA

Characteristics

- Weight: 0,39 Kg / 0,86 Lb
- Housing in ZAMAK
- Impeller in plastic
- L-10 life expectancy at 40°C: 35.000 hours
- Operating temperature range: -10 / +70 °C
- Storage temperature: -54 / +85°C
- Connection: Leads
- GAM T1 listed
- IP20

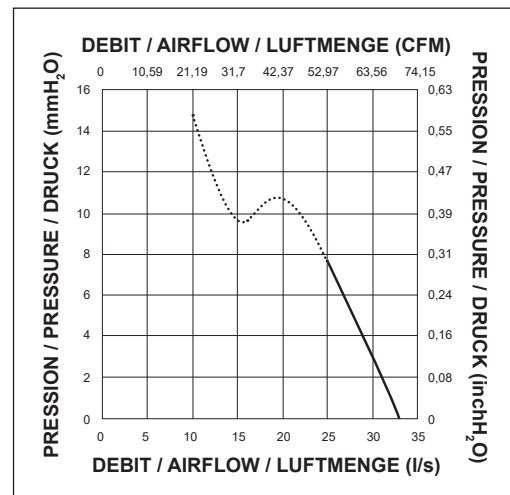
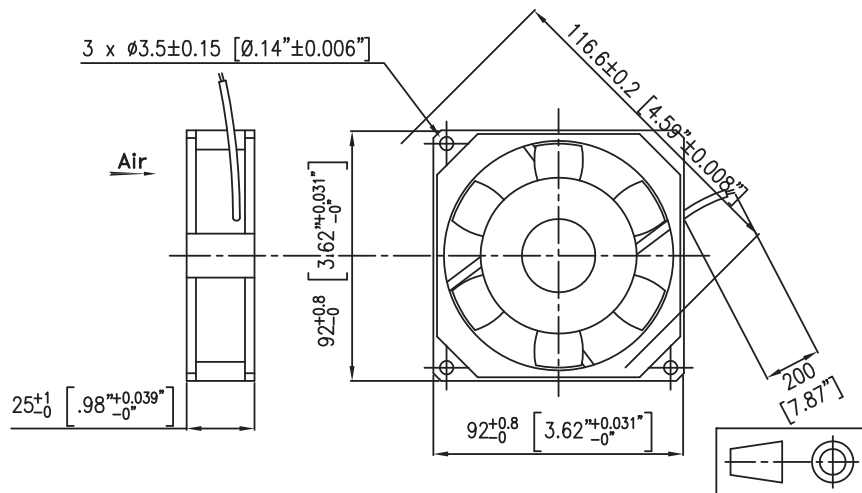
Options

- Speed sensor
- Salt spray protection
- Shocks and vibrations protection
- Marine application
- Wide temperature range
- Other voltages
- NATO Codification (not on all part numbers, please consult the factory for more detailed information)

ELECTRICAL AND AERAILIC DATA

Part Number	Voltage Frequency		Nb Phases	Airflow		Pressure		Nominal speed RPM	Noise level LP dBA	Nominal current A	Starting current A	power W	Capacitor μF
	V	Hz		l/s	CFM	mm H _o	inch H _o						
99XV0162001 NR	115	400	3	33,00	69,96	25,00	0,98	5500	55	0,15	0,28	15,70	0,47
	115	400	1	33,00	69,96	25,00	0,98						
99XV0160001 NR	200	400	3	33,00	69,96	25,00	0,98	5500	55	0,09	0,16	15,80	0,15
	200	400	1	33,00	69,96	25,00	0,98						

DRAWING AND AIRFLOW CURVE



Non contractual document. All specifications are subject to change without prior notice. For professional use only. Please refer to the conditions of use of our catalogue.