



Size 120 x 120 x 25 mm 4,72 x 4,72 x 1 "  
 Range 400Hz AXIAL FAN

### TECHNICAL DATA

#### Characteristics

- Weight: 0,5 Kg / 1,11 Lb
- Housing in ZAMAK
- Impeller in plastic
- L-10 life expectancy at 40°C: 35.000 hours
- Operating temperature range: -10 / +70 °C
- Storage temperature: -54 / +85°C
- Connection: Leads
- IP20

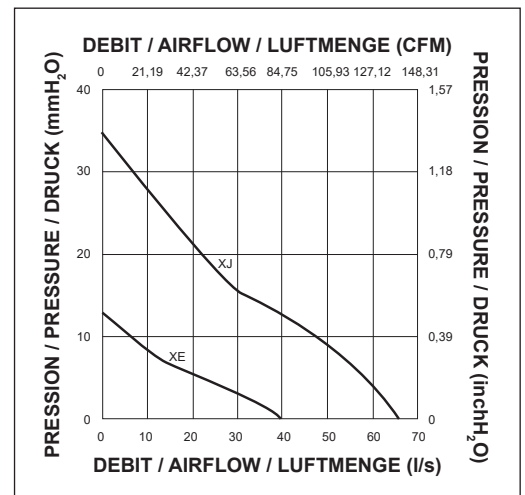
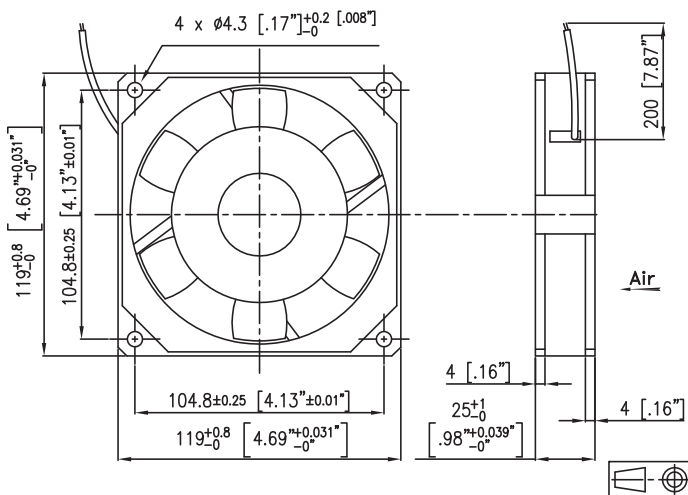
#### Options

- Salt spray protection
- Shocks and vibrations protection
- Marine application
- Wide temperature range
- Other voltages
- NATO Codification (not on all part numbers, please consult the factory for more detailed information)

### ELECTRICAL AND AERAILIC DATA

Part Number	Voltage Frequency		Nb Phases	Airflow		Pressure		Nominal speed RPM	Noise level LP dBA	Nominal current A	Starting current A	power W	Capacitor µF
	V	Hz		l/s	CFM	mm H <sub>o</sub>	inch H <sub>o</sub>						
98XE0162001 NR	115	400	1	40,00	84,80	13,00	0,51	3500	52	0,11	0,14	13,00	0,15
98XE0160001 NR	200	400	1	40,00	84,80	13,00	0,51	3500	52	0,07	0,08	13,00	0,05
98XJ0162001 NR	115	400	3	66,00	139,92	35,00	1,38	5500	65	0,33	0,49	34,50	
	115	400	1	66,00	139,92	35,00	1,38	5500	65	0,32	0,61	31,30	1,00
98XJ0160001 NR	200	400	3	66,00	139,92	35,00	1,38	5500	65	0,18	0,28	30,00	
	200	400	1	66,00	139,92	35,00	1,38	5500	65	0,18	0,35	30,00	0,32

### DRAWING AND AIRFLOW CURVE



Non contractual document. All specifications are subject to change without prior notice. For professional use only. Please refer to the conditions of use of our catalogue.