



Size Range

120 x 120 x 25 mm 4,72 x 4,72 x 1 "
AC AXIAL FAN

TECHNICAL DATA

Characteristics

- Weight: 0,465 Kg / 1,03 Lb
- Housing in ZAMAK
- Impeller in plastic UL 94 V-0
- L-10 life expectancy at 40°C: 80.000 hours
- Operating temperature range: -10 / +70 °C
- Storage temperature: -54 / +85°C
- Connection: Terminals
- Impedance protected
- IP20

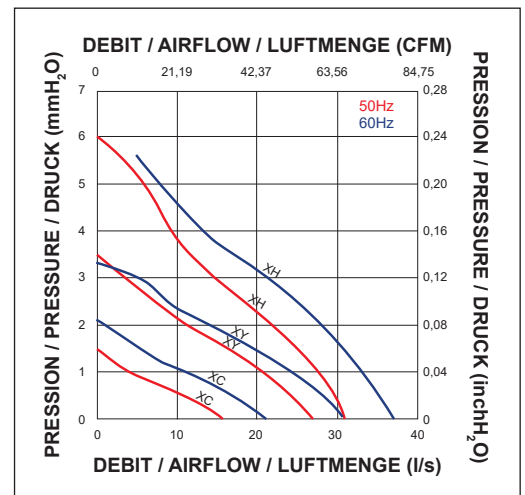
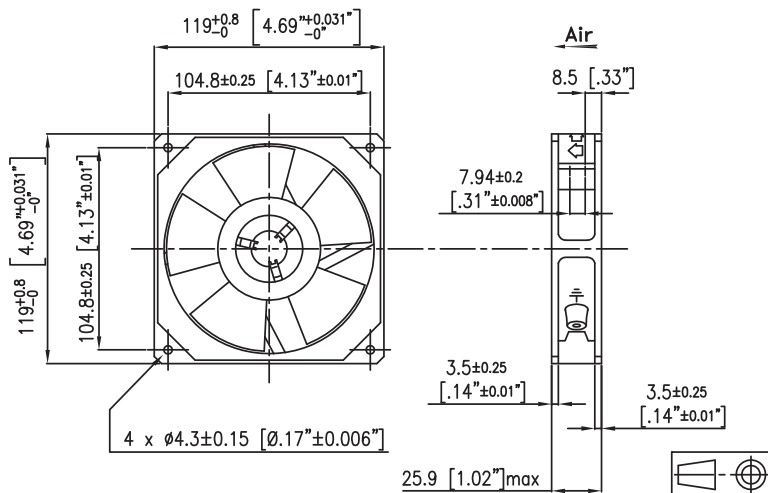
Options

- Speed sensor
- Other IP levels
- Flying leads connection
- Salt spray protection
- Shocks and vibrations protection
- Marine application
- Wide temperature range
- Other voltages

ELECTRICAL AND AERAILIC DATA

Part Number	Voltage Frequency		Nb Phases	Airflow		Pressure		Nominal speed RPM	Noise level LP dBA	Nominal current mA	Starting current mA	power W	Capacitor μF
	V	Hz		l/s	CFM	mm H _o	inch H _o						
98XC0182001	115	50	1	16,00	33,92	1,40	0,06	1300	32	130	150	12,00	
	115	60	1	21,00	44,52	2,10	0,08	1700	35	110	130	10,00	
98XC0181001	220	50	1	16,00	33,92	1,40	0,06	1300	32	80	90	14,00	
	220	60	1	21,00	44,52	2,10	0,08	1700	35	70	75	12,00	
98XY0182001	115	50	1	27,00	57,24	3,50	0,14	2100	36	120	140	10,00	
	115	60	1	31,00	65,72	3,30	0,13	2400	38	100	120	9,00	
98XY0181001	220	50	1	27,00	57,24	3,50	0,14	2100	36	65	80	12,00	
	220	60	1	31,00	65,72	3,30	0,13	2400	38	55	65	10,00	
98XH0182001	115	50	1	31,00	65,72	6,00	0,24	2550	41	135	200	13,00	
	115	60	1	37,00	78,44	5,00	0,20	3000	44	110	180	11,00	
98XH0181001	220	50	1	31,00	65,72	6,00	0,24	2550	41	80	100	15,00	

DRAWING AND AIRFLOW CURVE



Non contractual document. All specifications are subject to change without prior notice. For professional use only. Please refer to the conditions of use of our catalogue.