



Size Range 350 x 254 mm 13,77 x 10 "  
AC HIGH PERFORMANCES AXIAL FAN

### TECHNICAL DATA

#### Characteristics

- Weight: 17 Kg / 37,57 Lb
- Housing in Aluminium
- Impeller in metal
- L-10 life expectancy at 40°C: 25.000 hours
- Operating temperature range: -10 / +70 °C
- Storage temperature: -54 / +85°C
- Connection: Terminal box
- IP42

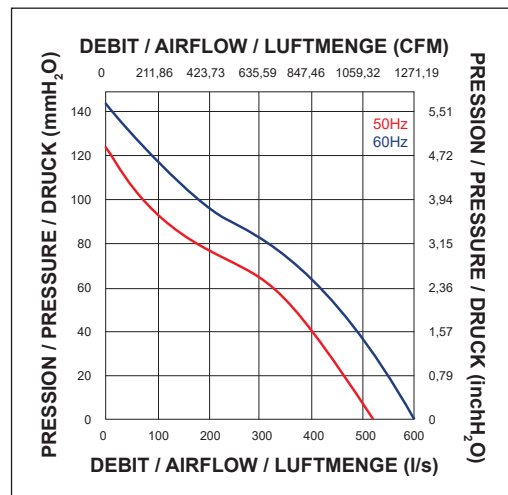
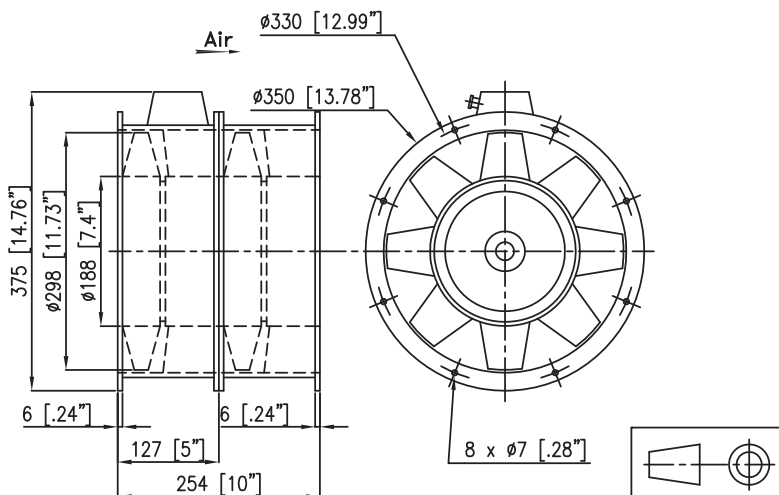
#### Options

- Speed sensor
- Other IP levels
- Salt spray protection
- Shocks and vibrations protection
- Marine application
- Wide temperature range
- Other voltages
- Safety switch

### ELECTRICAL AND AERAULIC DATA

Part Number	Voltage	Frequency	Nb Phases	Airflow		Pressure		Nominal speed RPM	Noise level LP dBA	Nominal current A	Starting current A	power W	Capacitor $\mu$ F
	V	Hz		l/s	CFM	mm H <sub>2</sub> o	inch H <sub>2</sub> o						
97CJ116DC13	220	50	3	514,00	1089,68	123,00	4,84	2850	81	1,45	6,80	306,00	
	380	50	3	514,00	1089,68	123,00	4,84	2850	81	0,85	4,00	306,00	
	220	60	3	600,00	1272,00	144,00	5,67	3300	84	1,10	6,00	344,00	
	380	60	3	600,00	1272,00	144,00	5,67	3300	84	0,65	3,50	344,00	

### DRAWING AND AIRFLOW CURVE



Non contractual document. All specifications are subject to change without prior notice. For professional use only. Please refer to the conditions of use of our catalogue.