



Size Range 350 x 158 mm 13,77 x 6,22 " AC HIGH PERFORMANCES AXIAL FAN

### TECHNICAL DATA

#### Characteristics

- Weight: 11 Kg / 24,31 Lb
- Housing in Aluminium
- Impeller in metal
- L-10 life expectancy at 40°C: 25.000 hours
- Operating temperature range: -10 / +70 °C
- Storage temperature: -54 / +85°C
- Connection: Terminal box
- IP42

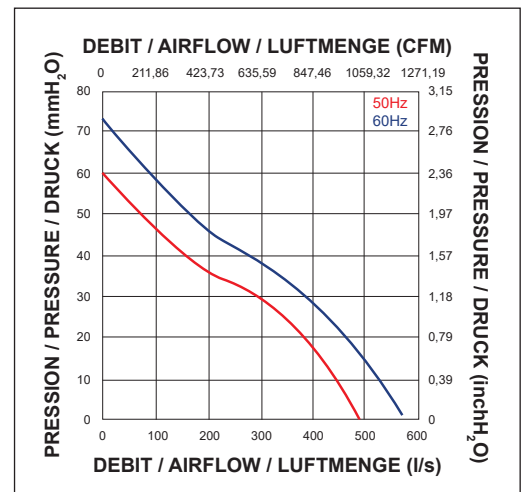
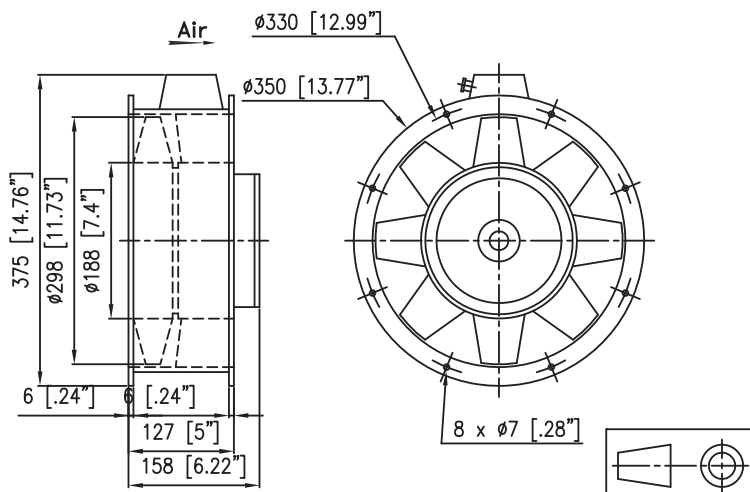
#### Options

- Speed sensor
- Other IP levels
- Salt spray protection
- Shocks and vibrations protection
- Marine application
- Wide temperature range
- Other voltages
- Safety switch
- NATO Codification (not on all part numbers, please consult the factory for more detailed information)

### ELECTRICAL AND AERAILIC DATA

Part Number	Voltage Frequency		Nb Phases	Airflow		Pressure		Nominal speed RPM	Noise level LP dBA	Nominal current A	Starting current A	power W	Capacitor μF
	V	Hz		l/s	CFM	mm H <sub>2</sub> o	inch H <sub>2</sub> o						
97AC0161C13	220	50	1	485,00	1028,20	60,00	2,36	2850	73	0,74	3,00	165,00	6,90
	220	60	1	560,00	1187,20	71,00	2,79	3250	76	1,05	3,30	220,00	6,90
97CH016DC13	220	50	3	490,00	1038,80	60,00	2,36	2850	73	0,49	3,30	136,00	
	380	50	3	490,00	1038,80	60,00	2,36	2850	73	0,28	1,90	136,00	
	220	60	3	570,00	1208,40	73,00	2,87	3300	76	0,60	2,80	198,00	
	380	60	3	570,00	1208,40	73,00	2,87	3300	76	0,35	1,50	198,00	

### DRAWING AND AIRFLOW CURVE



Non contractual document. All specifications are subject to change without prior notice. For professional use only. Please refer to the conditions of use of our catalogue.