



Size Range 180 x 180 mm 7,08 x 7,08 "
AC HIGH PERFORMANCES AXIAL FAN

TECHNICAL DATA

Characteristics

- Weight: 3,95 Kg / 8,73 Lb
- Housing in Aluminium
- Impeller in plastic
- L-10 life expectancy at 40°C: 25.000 hours
- Operating temperature range: -10 / +70 °C
- Storage temperature: -54 / +85°C
- Connection: Leads
- IP40

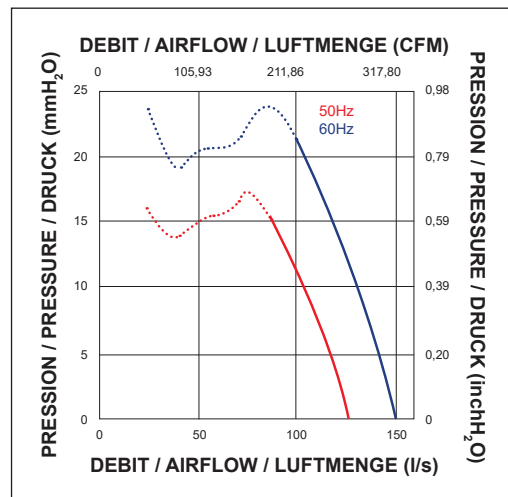
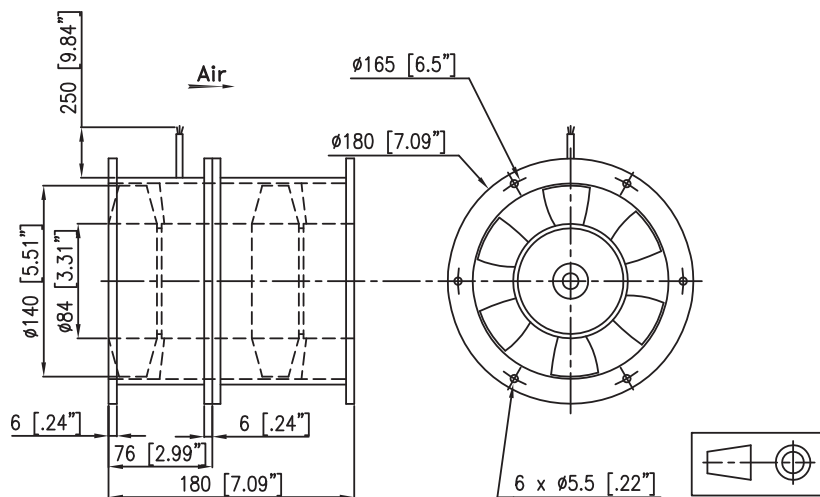
Options

- Speed sensor
- Other IP levels
- Salt spray protection
- Shocks and vibrations protection
- Marine application
- Wide temperature range
- Other voltages
- Safety switch
- Aluminium impeller
- NATO Codification (not on all part numbers, please consult the factory for more detailed information)

ELECTRICAL AND AERAILIC DATA

Part Number	Voltage	Frequency	Nb Phases	Airflow		Pressure		Nominal speed RPM	Noise level LP dBA	Nominal current A	Starting current A	power W	Capacitor µF
	V	Hz		l/s	CFM	mm H ₂ o	inch H ₂ o						
86CD116DC13	220	50	3	126,00	267,12	28,00	1,10	2850	63	0,28	0,88	54,00	
	380	50	3	126,00	267,12	28,00	1,10	2850	63	0,16	0,51	54,00	
	220	60	3	148,00	313,76	38,00	1,50	3250	66	0,26	0,84	71,00	
	380	60	3	148,00	313,76	38,00	1,50	3250	66	0,15	0,49	71,00	
	220	50	1	126,00	267,12	28,00	1,10	2850	63	0,29	0,79	54,00	3,20
	380	50	1	126,00	267,12	28,00	1,10	2850	63	0,17	0,46	54,00	1,00
	220	60	1	144,00	305,28	38,00	1,50	3250	66	0,34	0,76	71,00	3,20
	380	60	1	144,00	305,28	38,00	1,50	3250	66	0,20	0,44	71,00	1,00

DRAWING AND AIRFLOW CURVE



Non contractual document. All specifications are subject to change without prior notice. For professional use only. Please refer to the conditions of use of our catalogue.