



Size 180 x 87 mm 7,08 x 3,42 "
 Range 400Hz HIGH PERFORMANCES AXIAL FAN

TECHNICAL DATA

Characteristics

- Weight: 2,1 Kg / 4,64 Lb
- Housing in Aluminium
- Impeller in metal
- L-10 life expectancy at 40°C: 25.000 hours
- Operating temperature range: -10 / +70 °C
- Storage temperature: -54 / +85°C
- Connection: Leads
- IP40

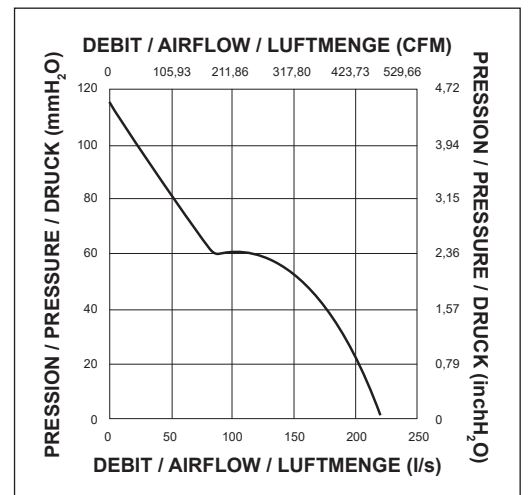
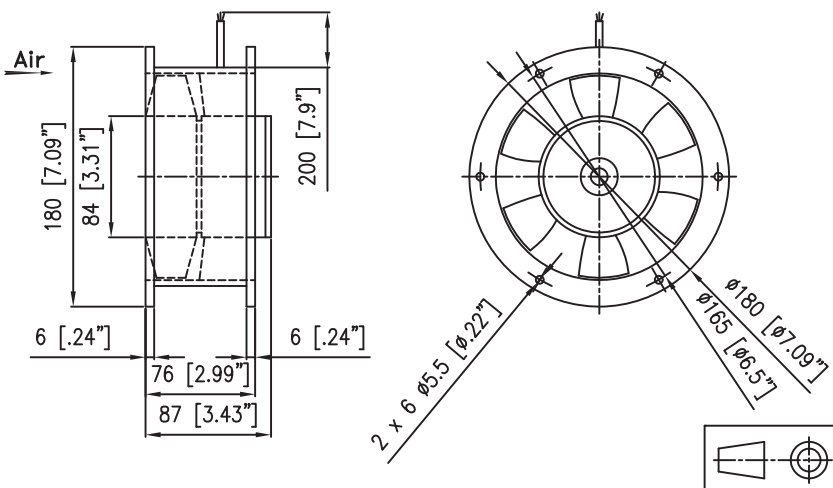
Options

- Speed sensor
- Other IP levels
- Salt spray protection
- Shocks and vibrations protection
- Marine application
- Wide temperature range
- Other voltages
- NATO Codification (not on all part numbers, please consult the factory for more detailed information)

ELECTRICAL AND AERAULIC DATA

Part Number	Voltage	Frequency	Nb Phases	Airflow		Pressure		Nominal speed RPM	Noise level LP dBA	Nominal current A	Starting current A	power W	Capacitor µF
	V	Hz		l/s	CFM	mm H ₂ o	inch H ₂ o						
85MF0160C13 NR	200	400	3	220,00	466,40	115,00	4,53	7600	83	1,10	3,60	205,00	
85MF0162C13 NR	115	400	3	220,00	466,40	115,00	4,53	7600	83	1,90	6,20	205,00	
85MG0160C13 NR	200	400	1	220,00	466,40	115,00	4,53	7600	82	1,15	2,40	230,00	1,00
85MG0162C13 NR	115	400	1	220,00	466,40	115,00	4,53	7600	82	2,20	4,00	250,00	4,00

DRAWING AND AIRFLOW CURVE



Non contractual document. All specifications are subject to change without prior notice. For professional use only. Please refer to the conditions of use of our catalogue.