



Size 180 x 104 mm 7,08 x 4,09 "
Range 400Hz HIGH PERFORMANCES AXIAL FAN

TECHNICAL DATA

Characteristics

- Weight: 2,6 Kg/5,75 Lb
- Housing in Aluminium
- Impeller in metal
- L-10 life expectancy at 40°C: 25.000 hours
- Operating temperature range: -10 / +70 °C
- Storage temperature: -54 / +85°C
- Connection: Leads
- IP40

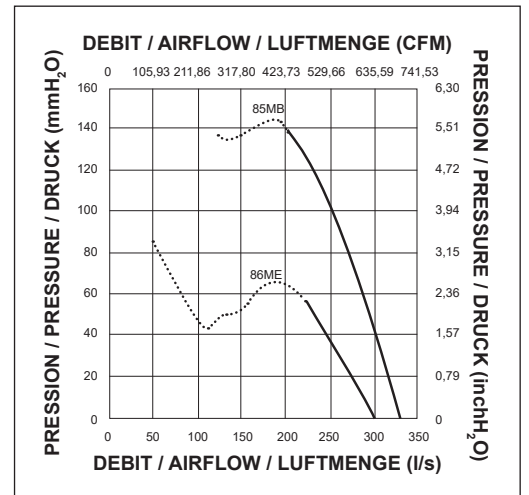
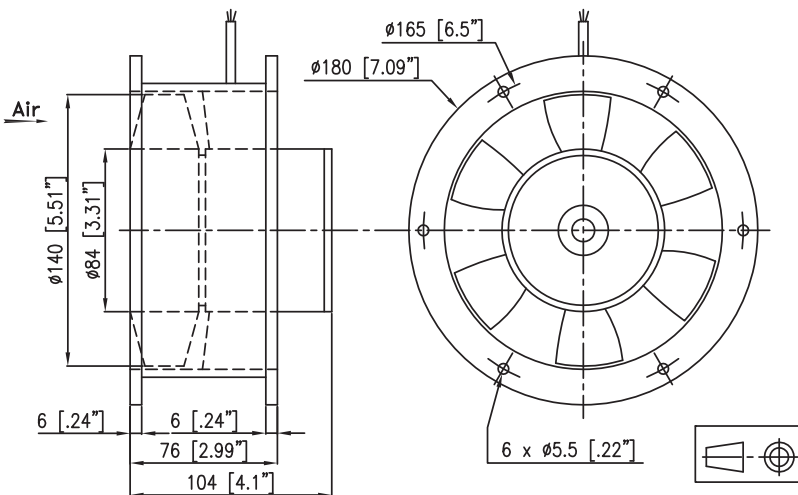
Options

- Speed sensor
- Other IP levels
- Salt spray protection
- Shocks and vibrations protection
- Marine application
- Wide temperature range
- Other voltages
- Safety switch
- NATO Codification (not on all part numbers, please consult the factory for more detailed information)

ELECTRICAL AND AERAILIC DATA

Part Number	Voltage	Frequency	Nb Phases	Airflow		Pressure		Nominal speed	Noise level LP	Nominal current	Starting current	power	Capacitor
	V	Hz		l/s	CFM	mm H ₂ o	inch H ₂ o						
86ME0160C13 NR	200	400	3	300,00	636,00	110,00	4,33	7400	80	2,10	5,70	400,00	
86ME0162C13 NR	115	400	3	300,00	636,00	110,00	4,33	7400	80	3,70	10,00	400,00	
85MB0160C13 NR	200	400	3	330,00	699,60	260,00	10,23	11440	90	2,75	11,00	660,00	
85MB0162C13 NR	115	400	3	330,00	699,60	260,00	10,23	11440	90	4,80	19,00	660,00	

DRAWING AND AIRFLOW CURVE



Non contractual document. All specifications are subject to change without prior notice. For professional use only. Please refer to the conditions of use of our catalogue.