



Size 80 x 80 x 50 mm 3,15 x 3,15 x 1,97 "
Range 400Hz HIGH PERFORMANCES AXIAL FAN

TECHNICAL DATA

Characteristics

- Weight: 0,48 Kg / 1,06 Lb
- Housing in Aluminium
- Impeller in metal
- L-10 life expectancy at 40°C: 25.000 hours
- Operating temperature range: -10 / +70 °C
- Storage temperature: -54 / +85°C
- Connection: Leads
- IP40

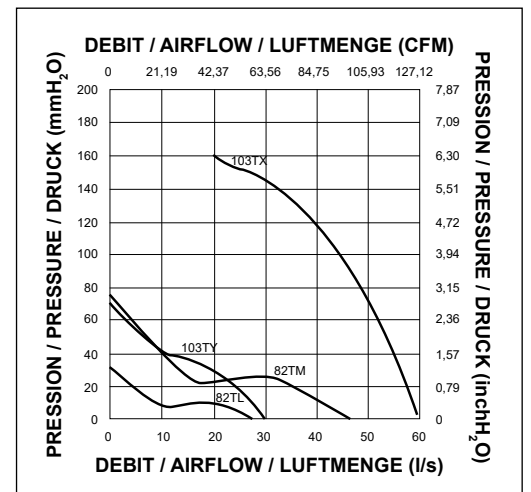
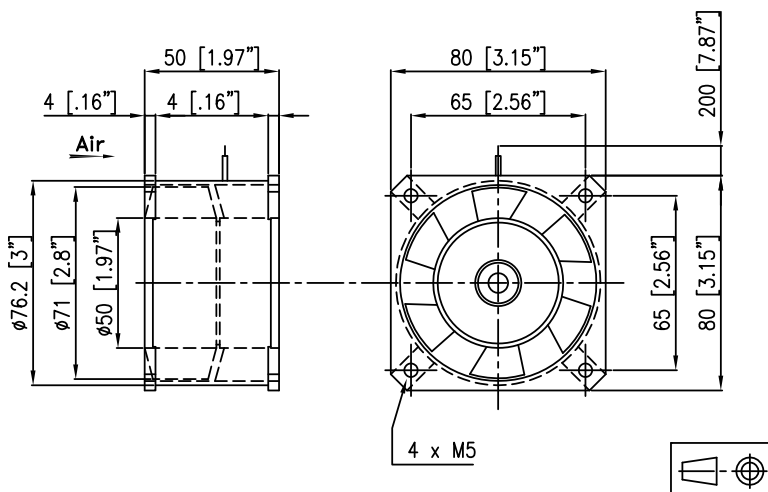
Options

- Speed sensor
- Other IP levels
- Salt spray protection
- Shocks and vibrations protection
- Marine application
- Wide temperature range
- Other voltages
- Other constructions on page 2
- NATO Codification (not on all part numbers, please consult the factory for more detailed information)

ELECTRICAL AND AERAILIC DATA

Part Number	Voltage	Frequency	Nb Phases	Airflow		Pressure		Nominal speed RPM	Noise level LP dBA	Nominal current A	Starting current A	power W	Capacitor µF
	V	Hz		l/s	CFM	mm H ₂ O	inch H ₂ O						
82TL0562C13 NR	115	400	3	29,00	61,48	32,30	1,27	7200	59	0,23	0,48	25,00	
	115	400	1	28,00	59,36	31,00	1,22	7050	59	0,25	0,37	24,00	0,69
82TL0560C13 NR	200	400	3	29,00	61,48	32,30	1,27	7200	59	0,13	0,28	25,00	
	200	400	1	28,00	59,36	31,00	1,22	7050	59	0,14	0,21	24,00	0,22
103TY0562C13 NR	115	400	3	30,00	63,60	72,00	2,83	11400	65	0,16	0,46	19,00	
	115	400	1	30,00	63,60	72,00	2,83	11400	65	0,18	0,39	21,00	0,69
103TY0560C13 NR	200	400	3	30,00	63,60	72,00	2,83	11400	65	0,10	0,27	19,00	
	200	400	1	30,00	63,60	72,00	2,83	11400	65	0,11	0,23	21,00	0,22
82TM0562C13 NR	115	400	3	47,00	99,64	76,00	2,99	11200	68	0,50	1,40	67,00	
	115	400	1	47,00	99,64	76,00	2,99	11200	68	0,63	1,10	72,00	2,20
82TM0560C13 NR	200	400	3	47,00	99,64	76,00	2,99	11200	68	0,29	0,76	67,00	
	200	400	1	47,00	99,64	76,00	2,99	11200	68	0,36	0,63	72,00	0,69
103TX0562C13 NR	115	400	3	60,00	127,20	280,00	11,02	23000	80	0,69	3,30	110,00	
	115	400	1	60,00	127,20	280,00	11,02	23000	80	1,05	2,80	120,00	3,20
103TX0560C13 NR	200	400	3	60,00	127,20	280,00	11,02	23000	80	0,45	1,90	119,00	
	200	400	1	60,00	127,20	280,00	11,02	23000	80	0,58	1,60	120,00	1,00

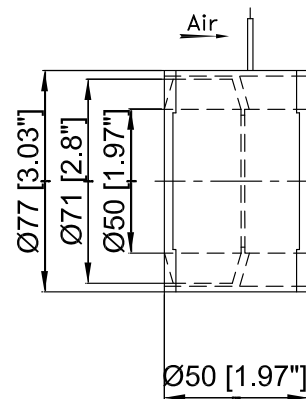
DRAWING AND AIRFLOW CURVE



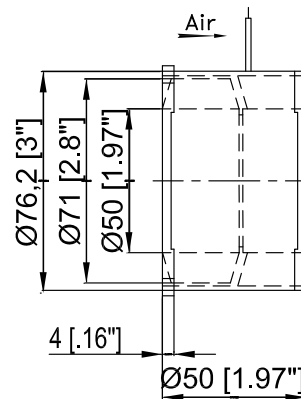
Non contractual document. All specifications are subject to change without prior notice. For professional use only. Please refer to the conditions of use of our catalogue.

AUTRES CONSTRUCTIONS
OTHER CONSTRUCTIONS

103T*06***
Sans bride
Without flange



103T*07***
Bride à l'aspiration
Flange at inlet



103T*08***
Bride au refoulement
Flange at outlet

