



Size Range 113 x 113 x 88,5 mm 4,45 x 4,45 x 3,48 "  
400Hz HIGH PERFORMANCES AXIAL FAN

### TECHNICAL DATA

#### Characteristics

- Weight: 0,94 Kg / 2,08 Lb
- Housing in Aluminium
- Impeller in metal
- L-10 life expectancy at 40°C: 25.000 hours
- Operating temperature range: -10 / +70 °C
- Storage temperature: -54 / +85°C
- Connection: Leads
- IP40

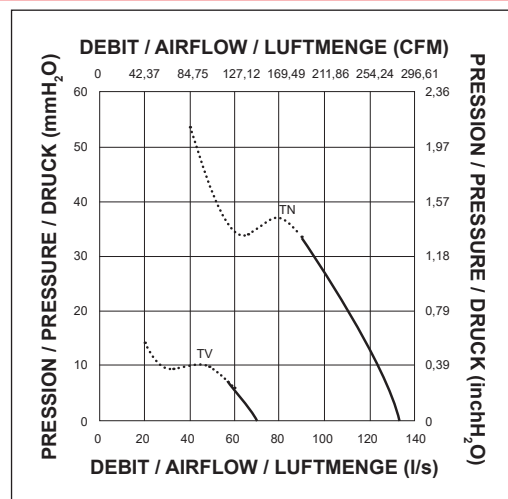
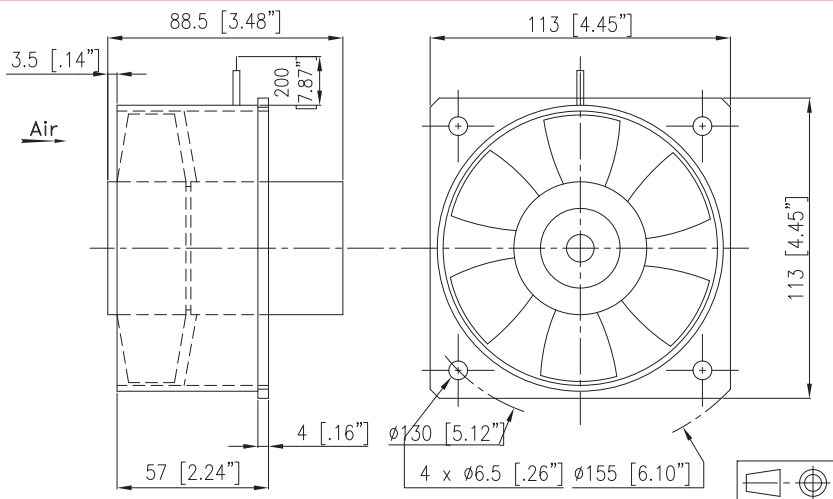
#### Options

- Speed sensor
- Other IP levels
- Salt spray protection
- Shocks and vibrations protection
- Marine application
- Wide temperature range
- Other voltages

### ELECTRICAL AND AERAILIC DATA

Part Number	Voltage	Frequency	Nb Phases	Airflow		Pressure		Nominal speed RPM	Noise level LP dBA	Nominal current A	Starting current A	power W	Capacitor µF
	V	Hz		l/s	CFM	mm H <sub>2</sub> o	inch H <sub>2</sub> o						
80TV0562C13 NR	115	400	3	71,00	150,52	23,00	0,91	5200	61	0,44	0,65	52,00	
	115	400	1	69,00	146,28	22,00	0,87	5000	61	0,45	0,54	47,00	1,47
80TV0560C13 NR	200	400	3	71,00	150,52	23,00	0,91	5200	61	0,25	0,37	52,00	
	200	400	1	69,00	146,28	22,00	0,87	5000	61	0,26	0,31	47,00	0,47
80TN0562C13 NR	115	400	3	135,00	286,20	83,00	3,27	9700	76	1,15	2,80	153,00	
	115	400	1	135,00	286,20	83,00	3,27	9700	76	1,40	2,35	147,00	4,70
80TN0560C13 NR	200	400	3	135,00	286,20	83,00	3,27	9700	76	0,65	1,60	153,00	
	200	400	1	135,00	286,20	83,00	3,27	9700	76	0,79	1,35	147,00	1,47

### DRAWING AND AIRFLOW CURVE



Non contractual document. All specifications are subject to change without prior notice. For professional use only. Please refer to the conditions of use of our catalogue.