



Size Range 130 x 64,5 mm 5,12 x 2,54 " AC HIGH PERFORMANCES AXIAL FAN

### TECHNICAL DATA

#### Characteristics

- Weight: 0,7 Kg / 1,55 Lb
- Housing in Aluminium
- Impeller in metal
- L-10 life expectancy at 40°C: 25.000 hours
- Operating temperature range: -10 / +70 °C
- Storage temperature: -54 / +85°C
- Connection: Leads
- IP40

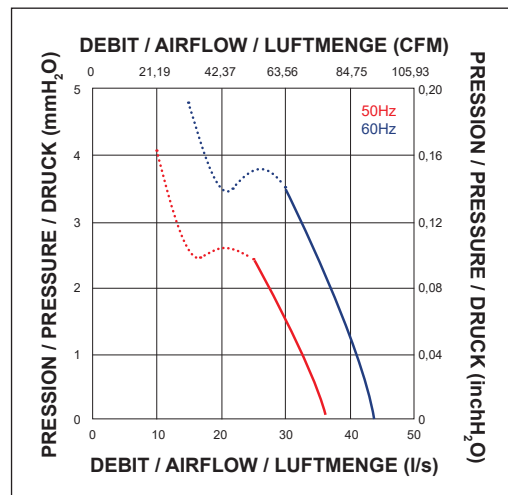
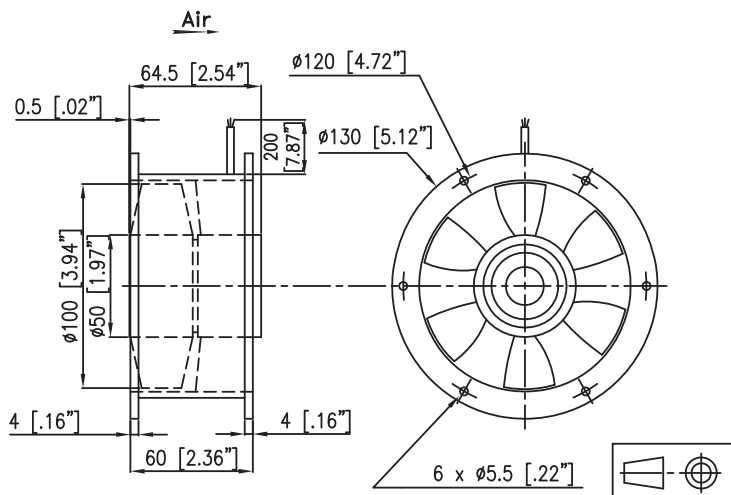
#### Options

- Speed sensor
- Other IP levels
- Salt spray protection
- Shocks and vibrations protection
- Marine application
- Wide temperature range
- Other voltages
- NATO Codification (not on all part numbers, please consult the factory for more detailed information)

### ELECTRICAL AND AERAILIC DATA

Part Number	Voltage	Frequency	Nb Phases	Airflow		Pressure		Nominal speed RPM	Noise level LP dBA	Nominal current A	Starting current A	power W	Capacitor μF
	V	Hz		l/s	CFM	mm H <sub>2</sub> o	inch H <sub>2</sub> o						
80CE0161C13	220	50	3	36,00	76,32	6,50	0,26	2900	45	0,09	0,12	24,80	
	220	60	3	44,00	93,28	9,00	0,35	3400	49	0,08	0,12	19,80	
	220	50	1	36,00	76,32	6,50	0,26	2900	45	0,08	0,11	18,30	1,00
	220	60	1	44,00	93,28	9,00	0,35	3400	49	0,08	0,11	16,80	1,00

### DRAWING AND AIRFLOW CURVE



Non contractual document. All specifications are subject to change without prior notice. For professional use only. Please refer to the conditions of use of our catalogue.