



Size Range 239,5 x 181 mm 9,43 x 7,12 "
AC HIGH PERFORMANCES AXIAL FAN

TECHNICAL DATA

Characteristics

- Weight: 6,85 Kg / 15,14 Lb
- Housing in Aluminium
- Impeller in metal
- L-10 life expectancy at 40°C: 25.000 hours
- Operating temperature range: -10 / +70 °C
- Storage temperature: -54 / +85°C
- Connection: Leads
- IP40

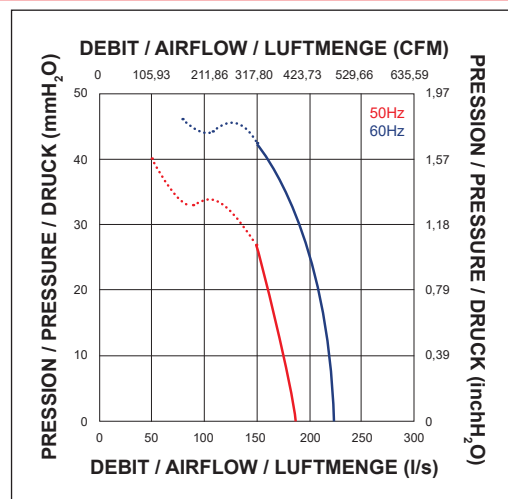
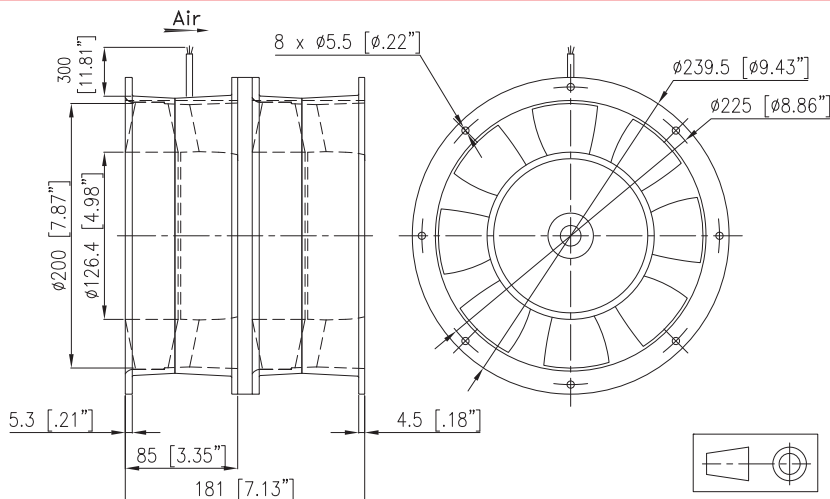
Options

- Speed sensor
- Other IP levels
- Salt spray protection
- Shocks and vibrations protection
- Marine application
- Wide temperature range
- Other voltages
- Safety switch
- Terminal block
- NATO Codification (not on all part numbers, please consult the factory for more detailed information)

ELECTRICAL AND AERAILIC DATA

Part Number	Voltage Frequency		Nb Phases	Airflow		Pressure		Nominal speed RPM	Noise level LP dBA	Nominal current A	power W	Capacitor µF
	V	Hz		l/s	CFM	mm H ₂ o	inch H ₂ o					
62GR116DC13 A	230	50	3	188,00	398,56	54,04	2,13	2900	74	0,47	100,00	
	400	50	3	188,00	398,56	54,04	2,13	2900	74	0,28	100,00	
	230	60	3	224,00	474,88	72,40	2,85	3490	79	0,35	68,00	
	400	60	3	224,00	474,88	72,40	2,85	3490	79	0,22	68,00	
	230	50	1	188,00	398,56	54,04	2,13	2900	74	0,48	71,00	5,70
	400	50	1	188,00	398,56	54,04	2,13	2900	74	0,48	71,00	2,00
	230	60	1	224,00	474,88	72,40	2,85	3490	79	0,39	90,00	5,70
	400	60	1	224,00	474,88	72,40	2,85	3490	79	0,23	90,00	2,00

DRAWING AND AIRFLOW CURVE



Non contractual document. All specifications are subject to change without prior notice. For professional use only. Please refer to the conditions of use of our catalogue.