



Size Range 200 x 222,5 x 331 mm 7,87 x 8,76 x 13,03 "
AC HIGH PERFORMANCES CENTRIFUGAL FAN

TECHNICAL DATA

Characteristics

- Weight: 7,5 Kg / 16,58 Lb
- Housing in Aluminium
- Turbine in metal
- L-10 life expectancy at 40°C: 25.000 hours
- Operating temperature range: -10 / +70 °C
- Storage temperature: -54 / +85°C
- Connection: Leads
- IP40

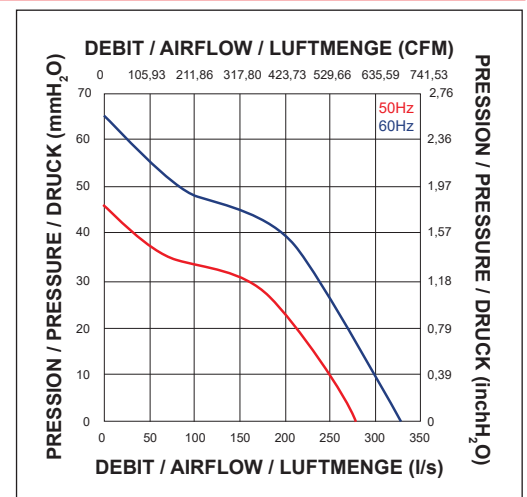
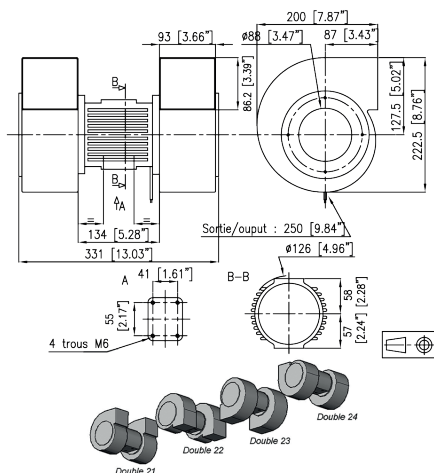
Options

- Speed sensor
- Other IP levels
- Salt spray protection
- Shocks and vibrations protection
- Marine application
- Wide temperature range
- Other voltages

ELECTRICAL AND AERAILIC DATA

Part Number	Voltage	Frequency	Nb Phases	Airflow		Pressure		Nominal speed RPM	Noise level LP dBA	Nominal current A	Starting current A	power W	Capacitor μF
	V	Hz		l/s	CFM	mm H ₂ o	inch H ₂ o						
625CHK216DC13	220	50	3	280,00	593,60	47,00	1,85	2850	67	1,30	6,30	250,00	
	380	50	3	280,00	593,60	47,00	1,85	2850	67	0,75	3,65	250,00	
	220	60	3	320,00	678,40	66,00	2,60	3300	71	1,30	5,85	350,00	
	380	60	3	320,00	678,40	66,00	2,60	3300	71	0,75	3,40	350,00	
	220	50	1	280,00	593,60	47,00	1,85	2850	67	1,40	5,40	245,00	14,70
	380	50	1	280,00	593,60	47,00	1,85	2850	67	0,80	3,15	245,00	5,00
	220	60	1	320,00	678,40	66,00	2,60	3300	71	1,70	4,95	355,00	14,70
	380	60	1	320,00	678,40	66,00	2,60	3300	71	1,15	2,90	355,00	5,00

DRAWING AND AIRFLOW CURVE



Non contractual document. All specifications are subject to change without prior notice. For professional use only. Please refer to the conditions of use of our catalogue.