



Size Range

239,5 x 85 mm 9,43 x 3,35 "  
AC HIGH PERFORMANCES AXIAL FAN

### TECHNICAL DATA

#### Characteristics

- Weight: 3,85Kg/8,51 Lb (61GS) ; 4,25 Kg/9,39 Lb (61GP et 61GE)
- Housing in Aluminium
- Impeller in plastic
- L-10 life expectancy at 40°C: 25.000 hours
- Operating temperature range: -10 / +70 °C
- Storage temperature: -54 / +85°C
- Connection: Leads
- IP40

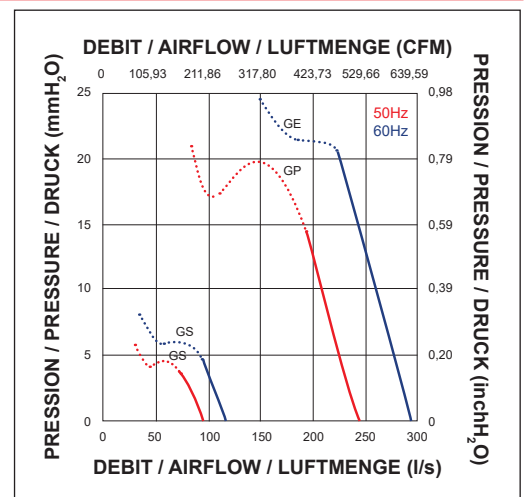
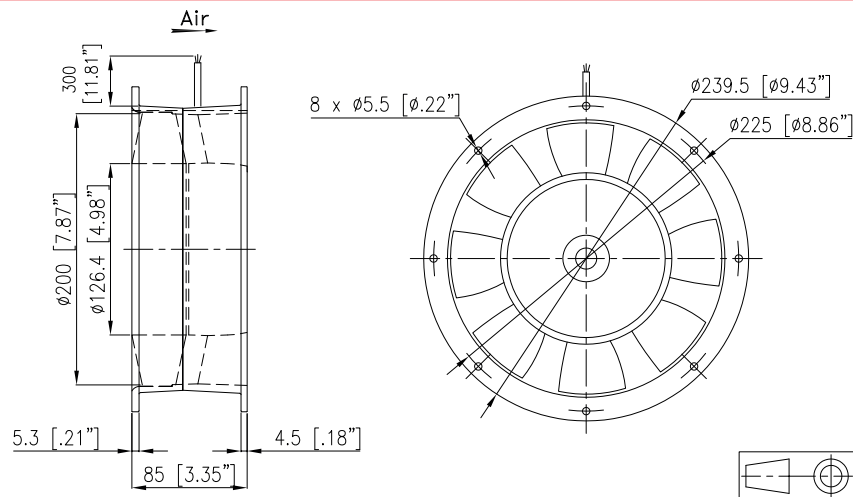
#### Options

- Speed sensor
- Other IP levels
- Terminal connection
- Salt spray protection
- Shocks and vibrations protection
- Marine application
- Wide temperature range
- Other voltages
- Safety switch
- Terminal block
- NATO Codification (not on all part numbers, please consult the factory for more detailed information)

### ELECTRICAL AND AERAULIC DATA

Part Number	Voltage Frequency		Nb Phases	Airflow		Pressure		Nominal speed	Noise level LP	Nominal current	power	Capacitor
	V	Hz		l/s	CFM	mm H <sub>o</sub>	inch H <sub>o</sub>					
61GS016DC13 A	230	50	3	96,50	204,58	8,16	0,32	1480	57	0,15	27,00	
	400	50	3	96,50	204,58	8,16	0,32	1480	57	0,09	26,00	
	230	60	3	116,50	246,98	11,73	0,46	1770	60	0,13	24,00	
	400	60	3	116,50	246,98	11,73	0,46	1770	60	0,07	24,00	
	230	50	1	96,50	204,58	8,16	0,32	1480	57	0,15	20,00	1,47
	400	50	1	96,50	204,58	8,16	0,32	1480	57			0,47
	230	60	1	116,50	246,98	11,73	0,46	1770	60	0,12	22,00	1,47
	400	60	1	116,50	246,98	11,73	0,46	1770	60			0,47
61GP016DC13 A	230	50	3	240,30	509,44	34,16	1,34	2870	71	0,29	67,50	
	400	50	3	240,30	509,44	34,16	1,34	2870	71	0,17	65,70	
	230	50	1	240,30	509,44	34,16	1,34	2870	71	0,33	71,00	4,70
	400	50	1	240,30	509,44	34,16	1,34	2870	71	0,19	70,00	1,47
61GE016DC13 A	230	60	3	294,00	623,28	46,91	1,85	3400	74	0,41	110,00	
	400	60	3	294,00	623,28	46,91	1,85	3400	74	0,24	110,00	
	230	60	1	294,00	623,28	46,91	1,85	3400	74	0,51	113,00	4,70
	400	60	1	294,00	623,28	46,91	1,85	3400	74	0,30	113,00	1,47

### DRAWING AND AIRFLOW CURVE



Non contractual document. All specifications are subject to change without prior notice. For professional use only. Please refer to the conditions of use of our catalogue.