



Size Range 239,5 x 181 mm 9,43 x 7,12 "
AC HIGH PERFORMANCES AXIAL FAN

TECHNICAL DATA

Characteristics

- Weight: 6,95 Kg / 15,36 Lb
- Housing in Aluminium
- Impeller in plastic
- L-10 life expectancy at 40°C: 25.000 hours
- Operating temperature range: -10 / +70 °C
- Storage temperature: -54 / +85°C
- Connection: Leads
- IP40

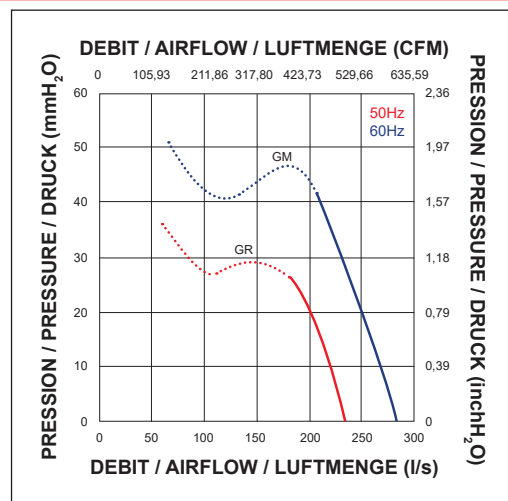
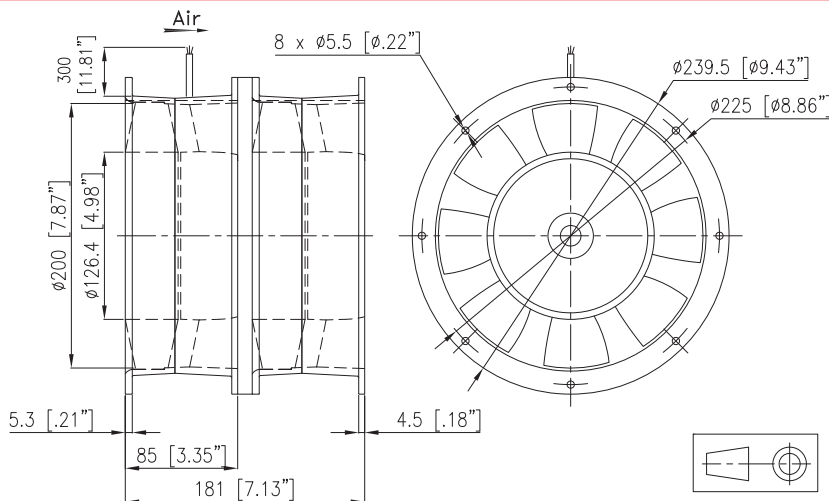
Options

- Speed sensor
- Other IP levels
- Salt spray protection
- Shocks and vibrations protection
- Marine application
- Wide temperature range
- Other voltages
- Safety switch
- Terminal block
- NATO Codification (not on all part numbers, please consult the factory for more detailed information)

ELECTRICAL AND AERAILIC DATA

Part Number	Voltage		Frequency	Nb Phases	Airflow		Pressure		Nominal speed	Noise level LP	Nominal current	power	Capacitor
	V	Hz			l/s	CFM	mm H ₂ o	inch H ₂ o					
61GR116DC13 A	230	50	50	3	235,00	498,20	50,99	2,01	2900	75	0,50	90,00	
	400	50	50	3	235,00	498,20	50,99	2,01	2900	75	0,29	90,00	
	230	50	50	1	235,00	498,20	50,99	2,01	2900	75	0,50	95,00	6,90
	400	50	50	1	235,00	498,20	50,99	2,01	2900	75	0,29	95,00	2,20
61GM116DC13 A	230	60	60	3	283,00	599,96	72,40	2,85	3450	80	0,58	135,00	
	400	60	60	3	283,00	599,96	72,40	2,85	3450	80	0,35	135,00	
	230	60	60	1	283,00	599,96	72,40	2,85	3450	80	0,69	155,00	10,00
	400	60	60	1	283,00	599,96	72,40	2,85	3450	80	0,39	155,00	3,20

DRAWING AND AIRFLOW CURVE



Non contractual document. All specifications are subject to change without prior notice. For professional use only. Please refer to the conditions of use of our catalogue.