



Size Range 350 x 274 mm 13,77 x 10,78 "  
AC HIGH PERFORMANCES AXIAL FAN

### TECHNICAL DATA

#### Characteristics

- Weight: 20,25 Kg / 44,75 Lb
- Housing in Aluminium
- Impeller in metal
- L-10 life expectancy at 40°C: 25.000 hours
- Operating temperature range: -10 / +70 °C
- Storage temperature: -54 / +85°C
- Connection: Terminal box
- IP42

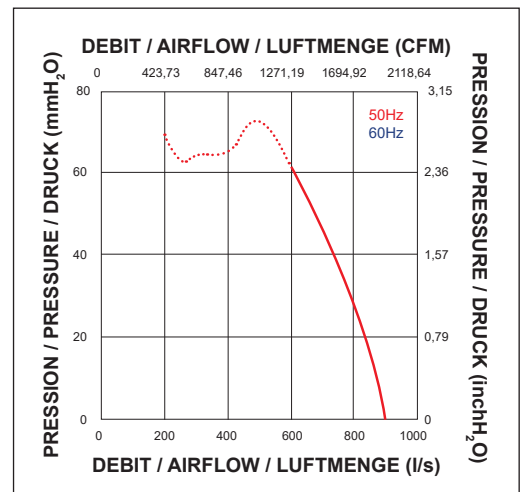
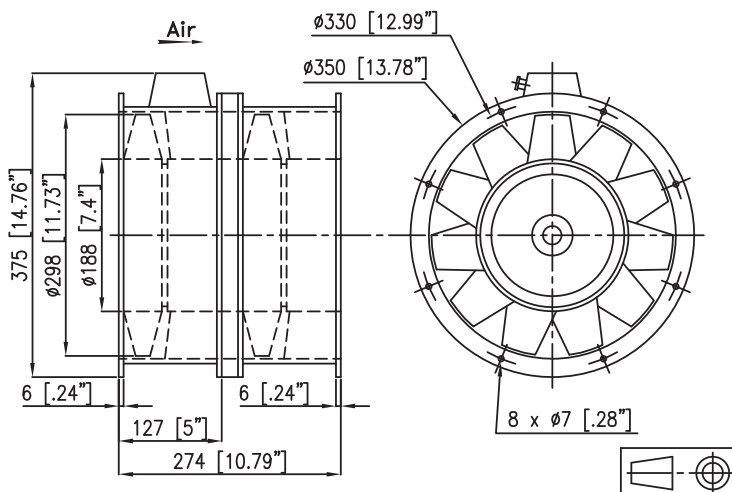
#### Options

- Speed sensor
- Other IP levels
- Salt spray protection
- Shocks and vibrations protection
- Marine application
- Wide temperature range
- Other voltages
- Safety switch

### ELECTRICAL AND AERAILIC DATA

Part Number	Voltage	Frequency	Nb Phases	Airflow		Pressure		Nominal speed RPM	Noise level LP dBA	Nominal current A	Starting current A	power W	Capacitor $\mu$ F
	V	Hz		l/s	CFM	mm H <sub>2</sub> O	inch H <sub>2</sub> O						
60CV216DC13	220	50	3	900,00	1908,00	102,00	4,01	2800	87	2,20	14,00	640,00	
	380	50	3	900,00	1908,00	102,00	4,01	2800	87	1,30	8,00	640,00	

### DRAWING AND AIRFLOW CURVE



Non contractual document. All specifications are subject to change without prior notice. For professional use only. Please refer to the conditions of use of our catalogue.