



Size Range 350 x 158 mm 13,77 x 6,22 " AC HIGH PERFORMANCES AXIAL FAN

TECHNICAL DATA

Characteristics

- Weight: 10,25 to 11 Kg / 22,62 to 24,28 Lb
- Housing in Aluminium
- Impeller in metal
- L-10 life expectancy at 40°C: 25.000 hours
- Operating temperature range: -10 / +70 °C
- Storage temperature: -54 / +85°C
- Connection: Terminal box
- IP42

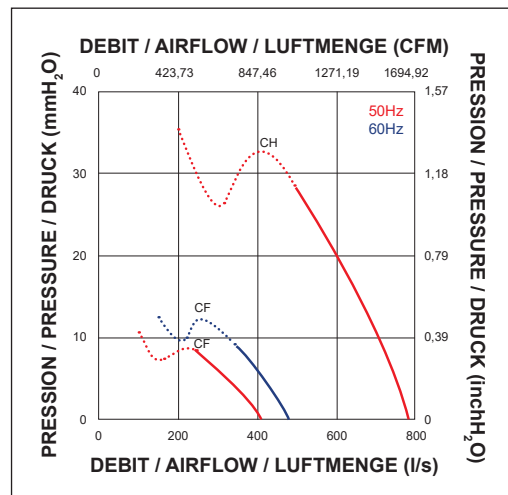
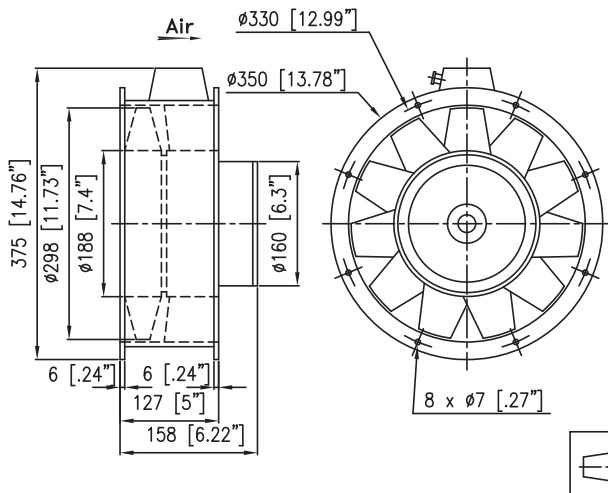
Options

- Speed sensor
- Other IP levels
- Salt spray protection
- Shocks and vibrations protection
- Marine application
- Wide temperature range
- Other voltages
- Safety switch
- NATO Codification (not on all part numbers, please consult the factory for more detailed information)

ELECTRICAL AND AERAILIC DATA

Part Number	Voltage	Frequency	Nb Phases	Airflow		Pressure		Nominal speed RPM	Noise level LP dBA	Nominal current A	Starting current A	power W	Capacitor µF
	V	Hz		l/s	CFM	mm H ₂ o	inch H ₂ o						
60CF016DC13	220	50	3	410,00	869,20	15,00	0,59	1450	61	0,37	2,00	64,00	
	380	50	3	410,00	869,20	15,00	0,59	1450	61	0,21	1,15	64,00	
	220	60	3	480,00	1017,60	20,00	0,79	1700	65	0,33	1,80	83,00	
	380	60	3	480,00	1017,60	20,00	0,79	1700	65	0,19	1,05	83,00	
	220	50	1	410,00	869,20	15,00	0,59	1450	61	0,32	1,70	67,00	6,90
	380	50	1	410,00	869,20	15,00	0,59	1450	61	0,19	0,98	67,00	2,20
	220	60	1	480,00	1017,60	20,00	0,79	1700	65	0,47	1,60	102,00	6,90
	380	60	1	480,00	1017,60	20,00	0,79	1700	65	0,27	0,93	102,00	2,20
60CH016DC13	220	50	3	780,00	1653,60	51,00	2,01	2700	79	1,50	6,30	406,00	
	380	50	3	780,00	1653,60	51,00	2,01	2700	79	0,87	3,60	406,00	
	220	50	1	775,00	1643,00	49,00	1,93	2700	79	1,90	5,00	400,00	20,00
	380	50	1	775,00	1643,00	49,00	1,93	2700	79	1,10	3,00	400,00	6,90

DRAWING AND AIRFLOW CURVE



Non contractual document. All specifications are subject to change without prior notice. For professional use only. Please refer to the conditions of use of our catalogue.