



Size Range 126,2 x 127,6 x 41 mm 4,97 x 5,02 x 1,61 " AC CENTRIFUGAL FAN

### TECHNICAL DATA

#### Characteristics

- Weight: 0,8 Kg / 1,77 Lb
- Housing in ZAMAK
- Impeller in plastic UL 94 V-0
- L-10 life expectancy at 40°C: 80.000 hours
- Operating temperature range: -10 / +70 °C
- Storage temperature: -40 / +70°C
- Connection: Terminals
- Impedance protected
- IP20

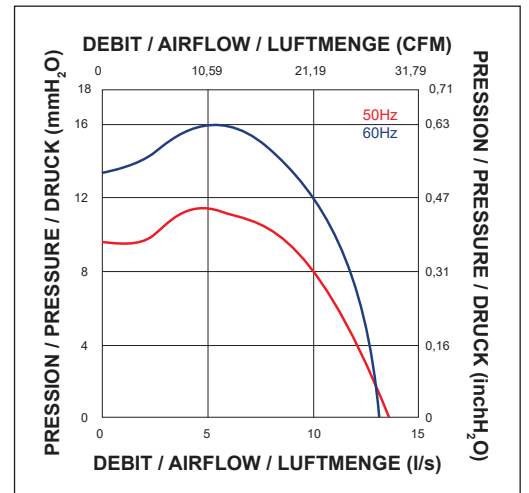
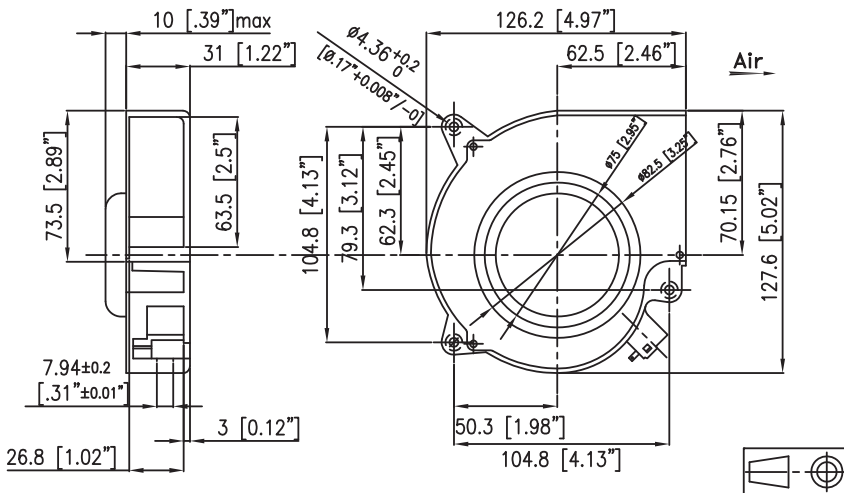
#### Options

- Other IP levels
- Flying leads connection
- Salt spray protection
- Shocks and vibrations protection
- Marine application
- Other voltages

### ELECTRICAL AND AERAILIC DATA

Part Number	Voltage	Frequency	Nb Phases	Airflow		Pressure		Nominal speed RPM	Noise level LP dBA	Nominal current mA	Starting current mA	power W	Capacitor $\mu$ F
	V	Hz		l/s	CFM	mm H <sub>2</sub> o	inch H <sub>2</sub> o						
583CBA0092000	115	50	1	13,50	28,62	9,50	0,37	2550	49	270	400	21,00	
	115	60	1	13,20	27,98	13,50	0,53	2500	51	250	350	20,00	
583CBA0091000	220	50	1	13,50	28,62	9,50	0,37	2550	49	140	210	21,00	
	220	60	1	13,20	27,98	13,50	0,53	2500	51	130	185	20,00	

### DRAWING AND AIRFLOW CURVE



Non contractual document. All specifications are subject to change without prior notice. For professional use only. Please refer to the conditions of use of our catalogue.