



Size 92 x 102 x 98,5 mm 3,62 x 4,01 x 3,88 "
 Range 400Hz HIGH PERFORMANCES CENTRIFUGAL FAN

TECHNICAL DATA

Characteristics

- Weight: 0,74 Kg / 1,64 Lb
- Housing in Aluminium
- Turbine in plastic
- L-10 life expectancy at 40°C: 25.000 hours
- Operating temperature range: -10 / +70 °C
- Storage temperature: -54 / +85°C
- Connection: Leads
- IP40

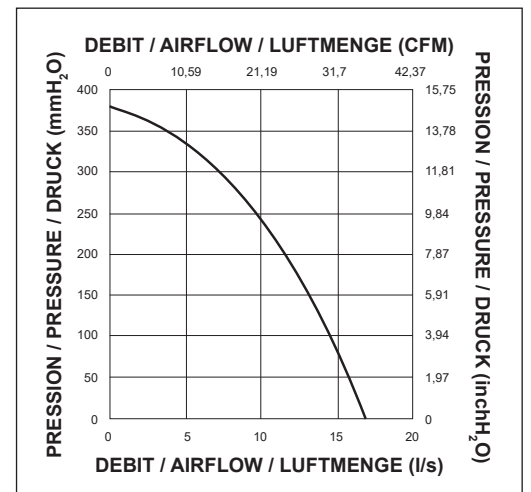
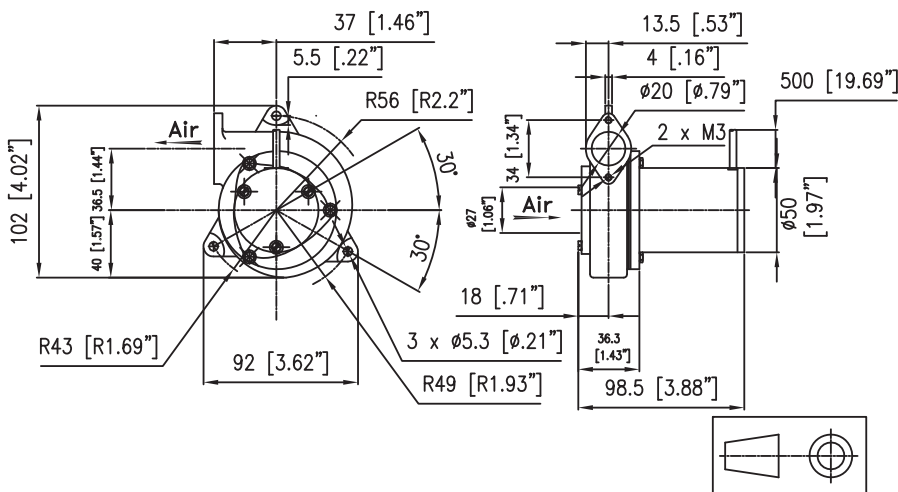
Options

- Other IP levels
- Salt spray protection
- Shocks and vibrations protection
- Marine application
- Wide temperature range
- Other voltages
- NATO Codification (not on all part numbers, please consult the factory for more detailed information)

ELECTRICAL AND AERAILIC DATA

Part Number	Voltage	Frequency	Nb Phases	Airflow		Pressure		Nominal speed	Noise level LP	Nominal current	Starting current	power	Capacitor
	V	Hz		l/s	CFM	mm H _o	inch H _o						
551CTF0062C13 NR	115	400	3	17,00	36,04	380,00	14,95	23000	82	0,80	4,70	120,00	3,20
	115	400	1	17,00	36,04	380,00	14,95						
551CTF0060C13 NR	200	400	3	17,00	36,04	380,00	14,95	23000	82	0,47	2,70	120,00	1,00
	200	400	1	17,00	36,04	380,00	14,95						

DRAWING AND AIRFLOW CURVE



Non contractual document. All specifications are subject to change without prior notice. For professional use only. Please refer to the conditions of use of our catalogue.