



Size Range 200 x 70 mm BDC AXIAL FAN 7,87 x 2,75 "

### TECHNICAL DATA

#### Characteristics

- Weight: 2,5 Kg / 5,53 Lb
- Housing in Aluminium
- Impeller in plastic UL 94 V-0
- L-10 life expectancy at 40°C: 40.000 hours
- Operating temperature range: -30 / +60 °C
- Connection: Leads
- Brushless DC motor
- IP55

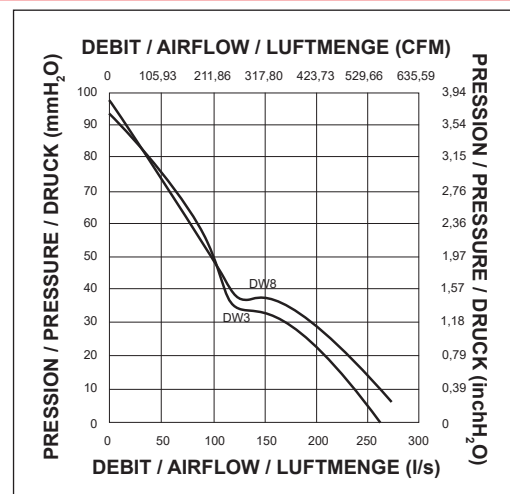
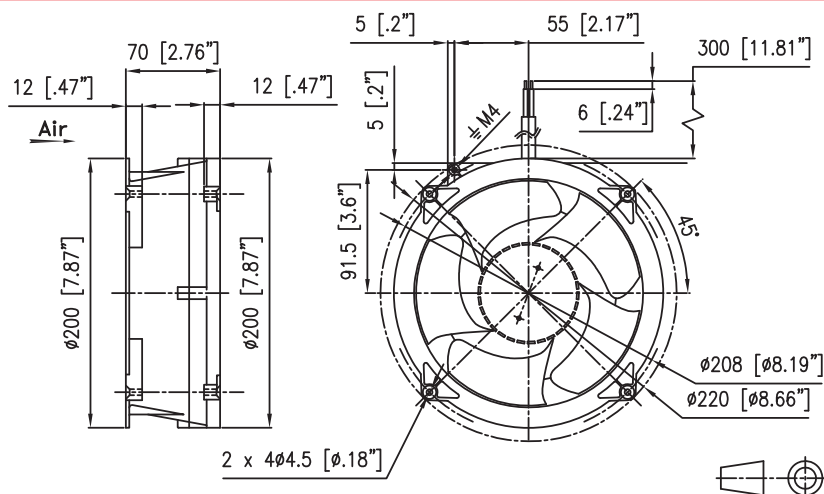
#### Options

- Speed sensor
- Alarm
- Other IP levels
- Salt spray protection
- Shocks and vibrations protection
- Marine application
- Other voltages
- Others speeds

### ELECTRICAL AND AERAILIC DATA

Part Number	Voltage	Voltage range	Airflow		Pressure		Nominal speed	Noise level LP	Nominal current	power
	V		l/s	CFM	mm H <sub>2</sub> o	inch H <sub>2</sub> o	RPM	dBA	A	W
200DW3LM11000	28	19,6V-35V	260,00	551,20	95,75	3,77	5020	75	6,55	184,00
200DW8LM11000	110	77V-137,5V	270,00	572,40	98,71	3,88	5190	75	1,57	172,00

### DRAWING AND AIRFLOW CURVE



Non contractual document. All specifications are subject to change without prior notice. For professional use only. Please refer to the conditions of use of our catalogue.