



Size Range

120 x 120 x 32 mm 4,72 x 4,72 x 1,26 " BDC AXIAL FAN

### TECHNICAL DATA

#### Characteristics

- Weight: 0,23 Kg / 0,51 Lb
- Housing in plastic UL 94 V-0
- Impeller in plastic UL 94 V-0
- L-10 life expectancy at 40°C: 80.000 hours
- Operating temperature range: -20 / +55 °C
- Storage temperature: -40 / +70°C
- Connection: Leads
- Brushless DC motor
- Intégrated circuit
- IP20

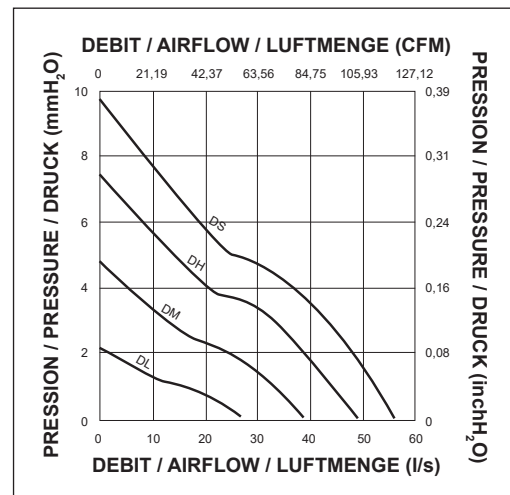
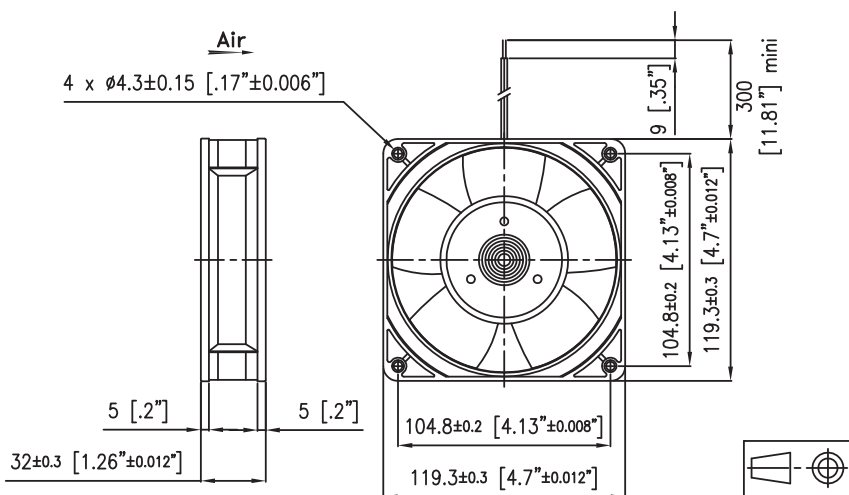
#### Options

- Speed sensor
- Alarm
- Other IP levels
- Terminal connection
- Salt spray protection
- Shocks and vibrations protection
- Marine application
- Other voltages
- Others speeds

### ELECTRICAL AND AERAULIC DATA

Part Number	Voltage		Airflow		Pressure		Nominal speed	Noise level LP	Nominal current	power
	V	Voltage range	l/s	CFM	mm H <sub>2</sub> o	inch H <sub>2</sub> o	RPM	dBA	mA	W
158DL1LP11000	12	6-15V	27,00	57,24	2,24	0,09	1680	30	133	1,60
158DL2LP11000	24	15-28V	27,00	57,24	2,24	0,09	1680	30	75	1,80
158DL4LP11000	48	22-56V	27,00	57,24	2,24	0,09	1680	30	44	2,10
158DM1LP11000	12	6-15V	39,00	82,68	4,79	0,19	2450	38	275	3,30
158DM2LP11000	24	15-28V	39,00	82,68	4,79	0,19	2450	38	146	3,50
158DM4LP11000	48	22-56V	39,00	82,68	4,79	0,19	2450	38	77	3,70
158DH1LP11000	12	6-15V	49,00	103,88	7,44	0,29	3050	43	517	6,20
158DH2LP11000	24	15-28V	49,00	103,88	7,44	0,29	3050	43	258	6,20
158DH4LP11000	48	22-56V	49,00	103,88	7,44	0,29	3050	43	129	6,20
158DS1LP11000	12	6-13,2V	55,90	118,51	9,69	0,38	3480	46	834	10,00
158DS2LP11000	24	15-28V	55,90	118,51	9,69	0,38	3480	46	362	8,70
158DS4LP11000	48	22-56V	55,90	118,51	9,69	0,38	3480	46	181	8,70

### DRAWING AND AIRFLOW CURVE



Non contractual document. All specifications are subject to change without prior notice. For professional use only. Please refer to the conditions of use of our catalogue.