



Size Range 80 x 80 x 25 mm BDC AXIAL FAN 3,15 x 3,15 x 1 "

TECHNICAL DATA

Characteristics

- Weight: 0,144 Kg / 0,32 Lb
- Housing in plastic UL 94 V-0
- Impeller in plastic UL 94 V-0
- L-10 life expectancy at 40°C: 80.000 hours
- Operating temperature range: -10 / +70 °C
- Storage temperature: -40 / +70°C
- Connection: Leads
- Brushless DC motor
- Integrated circuit
- IP20

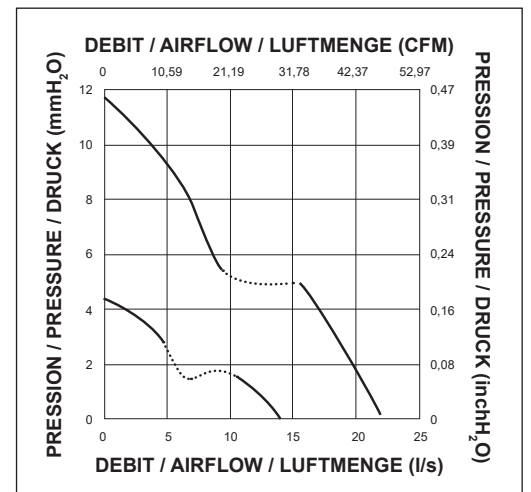
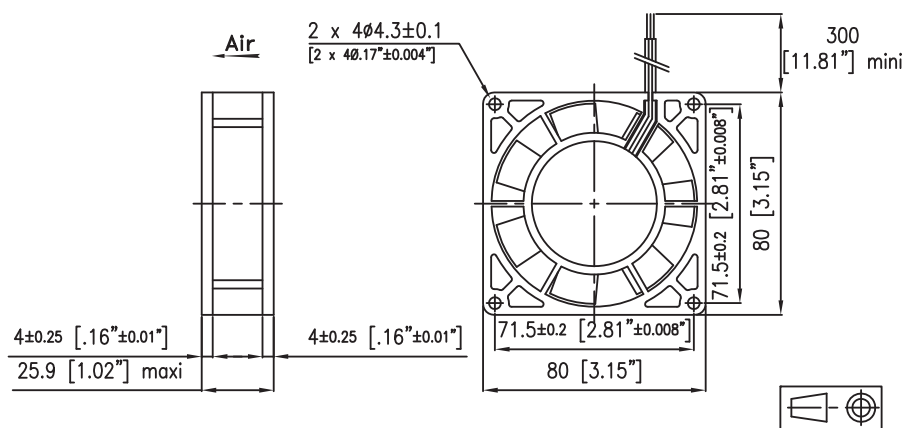
Options

- Speed sensor
- Alarm
- Other IP levels
- Terminal connection
- Salt spray protection
- Shocks and vibrations protection
- Marine application
- Other voltages
- Others speeds

ELECTRICAL AND AERAILIC DATA

Part Number	Voltage		Airflow		Pressure		Nominal speed	Noise level LP	Nominal current	power
	V	Voltage range	l/s	CFM	mm H ₂ o	inch H ₂ o	RPM	dBA	mA	W
146DH1LP11000	12	10,8-13,2V	14,88	31,55	4,45	0,18	3010	34	170	2,04
146DH2LP11000	24	15-28V	14,00	29,68	4,40	0,17	3550	34	96	2,30
146DS1LP11000	12	6-13,8V	22,00	46,64	10,89	0,43	5585	44	583	7,00
146DS2LP11000	24	15-28V	22,00	46,64	10,89	0,43	5585	44	292	7,00
146DS4LP11000	48	28-56V	22,00	46,64	10,89	0,43	5585	44	145	7,00

DRAWING AND AIRFLOW CURVE



Non contractual document. All specifications are subject to change without prior notice. For professional use only. Please refer to the conditions of use of our catalogue.