



Size Range

120 x 120 x 38 mm 4,72 x 4,72 x 1,5 " AC AXIAL FAN

TECHNICAL DATA

Characteristics

- Weight: 0,56 Kg / 1,24 Lb
- Housing in Aluminium
- Impeller in plastic UL 94 V-0
- L-10 life expectancy at 40°C: 80.000 hours
- Operating temperature range: -10 / +70 °C
- Storage temperature: -40 / +70°C
- Connection: Terminals
- Impedance protected
- IP20

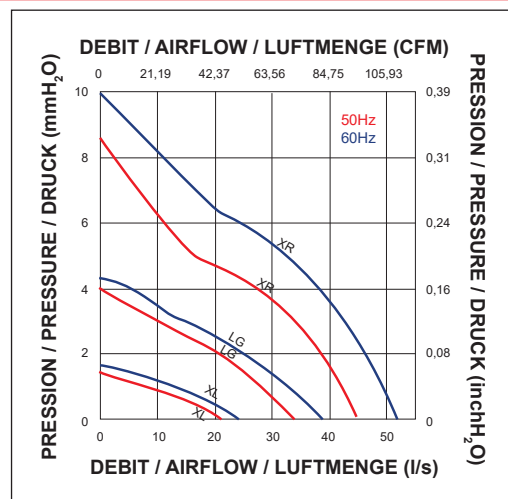
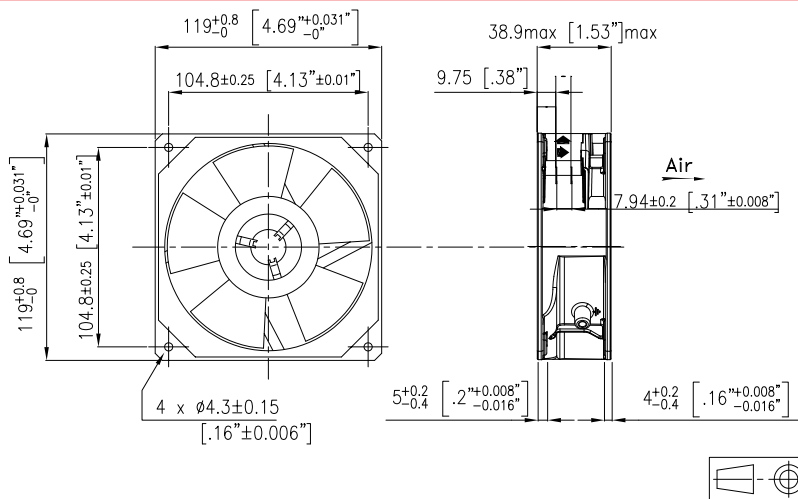
Options

- Speed sensor
- Other IP levels
- Flying leads connection
- Salt spray protection
- Shocks and vibrations protection
- Marine application
- Wide temperature range
- Other voltages

ELECTRICAL AND AERAILIC DATA

Part Number	Voltage	Frequency	Nb Phases	Airflow		Pressure		Nominal speed RPM	Noise level LP dBA	Nominal current mA	Starting current mA	power W	Capacitor μF
	V	Hz		l/s	CFM	mm H ₂ o	inch H ₂ o						
129XL0282010	115	50	1	21,50	45,58	1,40	0,06	1350	31	135	145	12,00	
	115	60	1	24,50	51,94	1,70	0,07	1550	34	115	125	10,00	
129XL0281010	220	50	1	21,50	45,58	1,40	0,06	1350	31	75	90	12,00	
	220	60	1	24,50	51,94	1,70	0,07	1550	34	65	75	10,00	
129LG0282010	115	50	1	34,00	72,08	4,00	0,16	2200	45	200	250	16,00	
	115	60	1	39,00	82,68	4,30	0,17	2400	48	160	200	13,00	
129LG0281010	220	50	1	34,00	72,08	4,00	0,16	2200	45	110	140	18,00	
	220	60	1	39,00	82,68	4,30	0,17	2400	48	90	120	15,00	
129XR0282010	115	50	1	45,00	95,40	8,50	0,33	2800	49	200	310	16,00	
	115	60	1	52,00	110,24	10,00	0,39	3200	54	180	260	15,00	
129XR0281010	220	50	1	45,00	95,40	8,50	0,33	2800	49	125	170	18,00	
	220	60	1	52,00	110,24	10,00	0,39	3200	54	105	150	15,00	

DRAWING AND AIRFLOW CURVE



Non contractual document. All specifications are subject to change without prior notice. For professional use only. Please refer to the conditions of use of our catalogue.