



Size Range

80 x 80 x 38 mm
AC AXIAL FAN

3,15 x 3,15 x 1,5 "

TECHNICAL DATA

Characteristics

- Weight: 0,4 Kg / 0,88 Lb
- Housing in ZAMAK
- Impeller in plastic UL 94 V-0
- L-10 life expectancy at 40°C: 80.000 hours
- Operating temperature range: -10 / +70 °C
- Storage temperature: -54 / +85°C
- Connection: Leads
- Impedance protected
- IP20

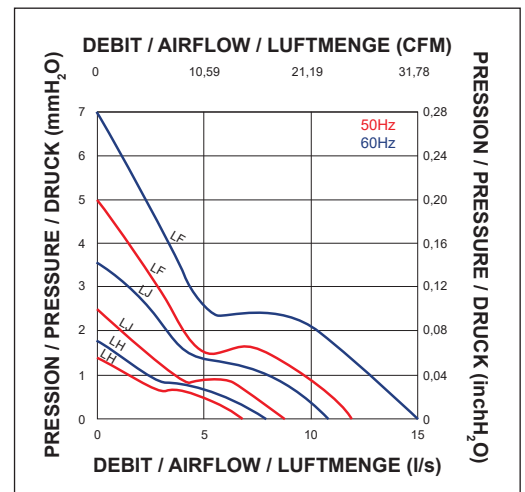
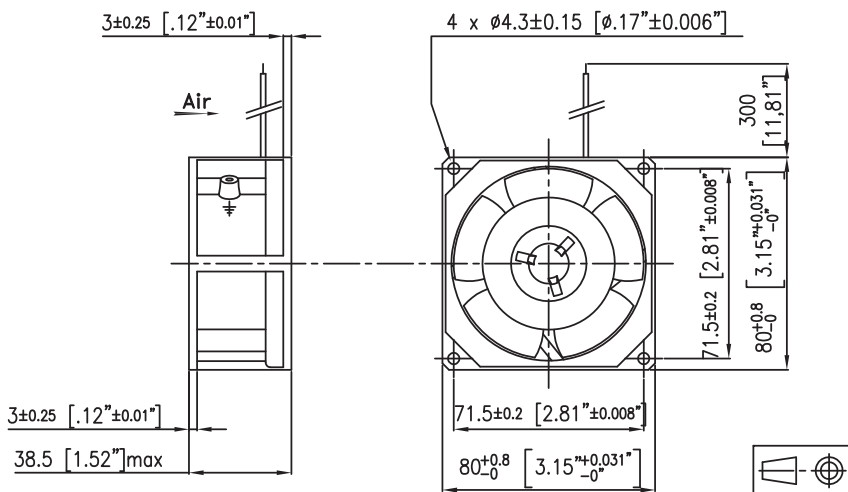
Options

- Other IP levels
- Salt spray protection
- Shocks and vibrations protection
- Marine application
- Wide temperature range
- Other voltages

ELECTRICAL AND AERAILIC DATA

Part Number	Voltage	Frequency	Nb Phases	Airflow		Pressure		Nominal speed RPM	Noise level LP dBA	Nominal current mA	Starting current mA	power W	Capacitor μF
	V	Hz		l/s	CFM	mm H _o	inch H _o						
126LH0182001	115	50	1	6,00	12,72	1,10	0,04	1350	10	50		5,00	
	115	60	1	7,00	14,84	1,40	0,06	1550	11	50		4,00	
126LH0181001	220	50	1	6,50	13,78	1,40	0,06	1550	14	35		7,00	
	220	60	1	8,00	16,96	1,80	0,07	1850	18	30		6,00	
126LJ0182001	115	50	1	9,00	19,08	2,50	0,10	2000	22	75	80	7,00	
	115	60	1	11,00	23,32	3,60	0,14	2400	25	65	70	6,00	
126LJ0181001	220	50	1	9,00	19,08	2,50	0,10	2000	22	45	50	8,00	
	220	60	1	11,00	23,32	3,60	0,14	2400	25	40	45	7,00	
126LF0182001	115	50	1	12,50	26,50	5,00	0,20	2750	30	130	170	10,00	
	115	60	1	15,00	31,80	7,00	0,28	3250	35	100	140	8,00	
126LF0181001	220	50	1	12,50	26,50	5,00	0,20	2750	30	75	90	12,00	
	220	60	1	15,00	31,80	7,00	0,28	3250	35	60	70	9,00	

DRAWING AND AIRFLOW CURVE



Non contractual document. All specifications are subject to change without prior notice. For professional use only. Please refer to the conditions of use of our catalogue.