



Size Range 120 x 120 x 38 mm 4,72 x 4,72 x 1,5 "
400Hz AXIAL FAN

TECHNICAL DATA

Characteristics

- Weight: 0,53 Kg / 1,17 Lb
- Housing in Aluminium
- Impeller in plastic
- L-10 life expectancy at 40°C: 35.000 hours
- Operating temperature range: -10 / +70 °C
- Storage temperature: -54 / +85°C
- Connection: Leads
- IP20

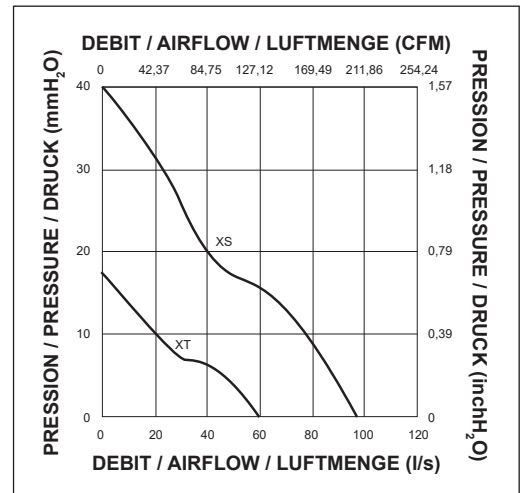
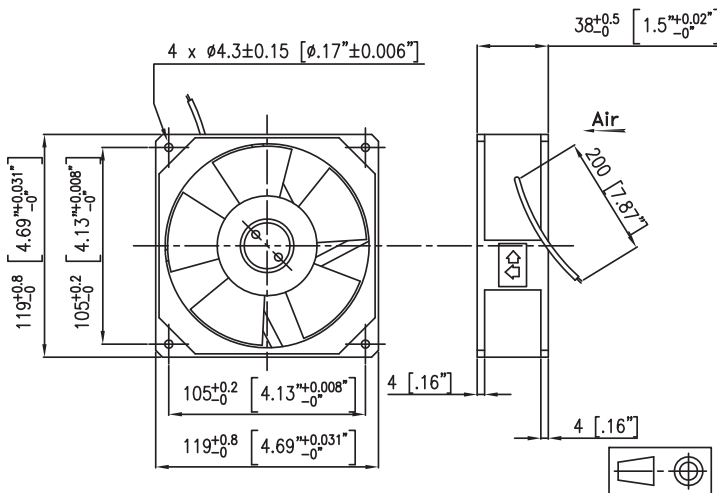
Options

- Speed sensor
- Salt spray protection
- Shocks and vibrations protection
- Marine application
- Wide temperature range
- Other voltages
- NATO Codification (not on all part numbers, please consult the factory for more detailed information)

ELECTRICAL AND AERAILIC DATA

Part Number	Voltague	Frequency	Nb Phases	Airflow		Pressure		Nominal speed RPM	Noise level LP dBA	Nominal current A	Starting current A	power W	Capacitor μF
	V	Hz		l/s	CFM	mm H ₂ o	inch H ₂ o						
125XT0162301 NR	115	400	3	60,00	127,20	17,00	0,67	3600	50	0,14	0,22	15,00	
125XT0162101 NR	115	400	1	60,00	127,20	17,50	0,69	3750	50	0,17	0,20	19,00	0,15
125XT0160301 NR	200	400	3	60,00	127,20	17,00	0,67	3600	50	0,09	0,12	16,50	
125XT0160101 NR	200	400	1	60,00	127,20	17,50	0,69	3750	50	0,10	0,12	19,00	0,05
125XS0162001 NR	115	400	3	94,00	199,28	40,00	1,57	5700	60	0,47	1,15	36,00	
	115	400	1	94,00	199,28	40,00	1,57	5700	60	0,41	0,87	35,00	1,47
125XS0160001 NR	200	400	3	94,00	199,28	40,00	1,57	5700	60	0,24	0,65	32,00	
	200	400	1	94,00	199,28	40,00	1,57	5700	60	0,21	0,50	35,00	0,47

DRAWING AND AIRFLOW CURVE



Non contractual document. All specifications are subject to change without prior notice. For professional use only. Please refer to the conditions of use of our catalogue.