



Size Range

120 x 120 x 38 mm  
AC AXIAL FAN

4,72 x 4,72 x 1,5 "

### TECHNICAL DATA

#### Characteristics

- Weight: 0,56 Kg / 1,24 Lb
- Housing in Aluminium
- Impeller in plastic UL 94 V-0
- L-10 life expectancy at 40°C: 80.000 hours
- Operating temperature range: -54 / +100 °C
- Storage temperature: -54 / +100°C
- Connection: Terminals
- Impedance protected
- IP20

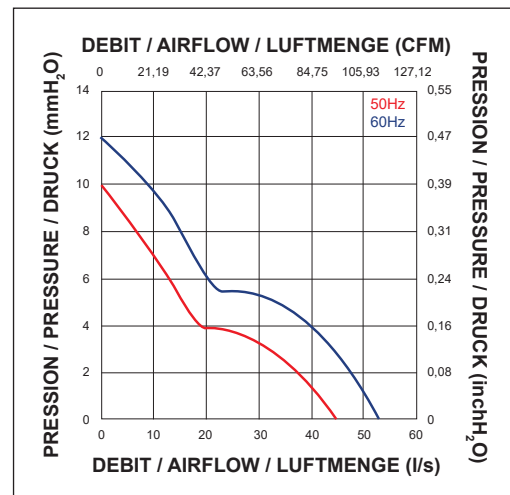
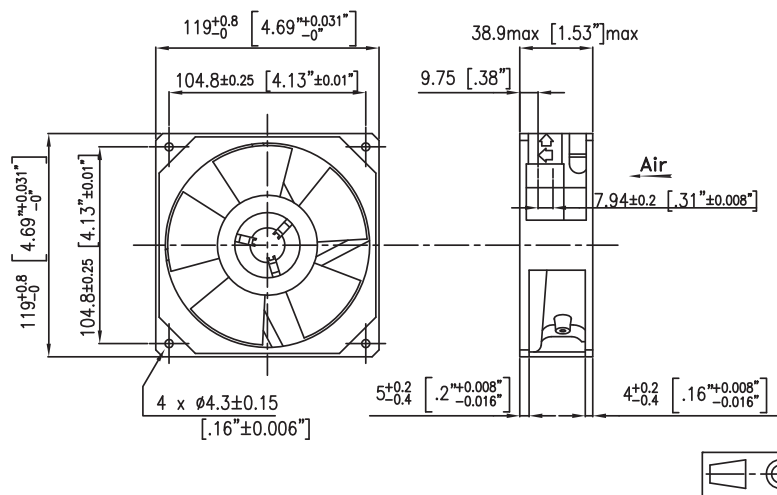
#### Options

- Speed sensor
- Other IP levels
- Flying leads connection
- Salt spray protection
- Shocks and vibrations protection
- Marine application
- Other voltages
- Dual voltage 115-230V

### ELECTRICAL AND AERAILIC DATA

Part Number	Voltage Frequency		Nb Phases	Airflow		Pressure		Nominal speed RPM	Noise level LP dBA	Nominal current mA	Starting current mA	power W	Capacitor μF
	V	Hz		l/s	CFM	mm H <sub>2</sub> o	inch H <sub>2</sub> o						
125XR5182002	115	50	1	45,00	95,40	10,00	0,39	2800	43	200	310	16,00	
	115	60	1	53,00	112,36	12,00	0,47	3300	48	180	260	15,00	
125XR5181002	220	50	1	45,00	95,40	10,00	0,39	2800	43	125	170	18,00	
	220	60	1	53,00	112,36	12,00	0,47	3300	48	105	150	15,00	

### DRAWING AND AIRFLOW CURVE



Non contractual document. All specifications are subject to change without prior notice. For professional use only. Please refer to the conditions of use of our catalogue.