



Size Range

120 x 120 x 38 mm  
AC AXIAL FAN

4,72 x 4,72 x 1,5 "

### TECHNICAL DATA

#### Characteristics

- Weight: 0,56 Kg / 1,24 Lb
- Housing in Aluminium
- Impeller in plastic UL 94 V-0
- L-10 life expectancy at 40°C: 80.000 hours
- Operating temperature range: -10 / +70 °C
- Storage temperature: -54 / +85°C
- Connection: Terminals
- Impedance protected
- IP20

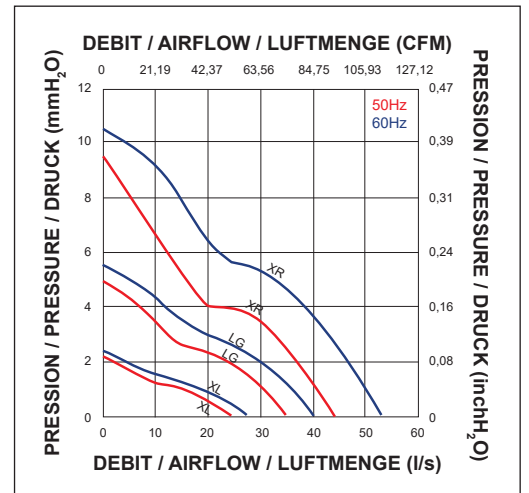
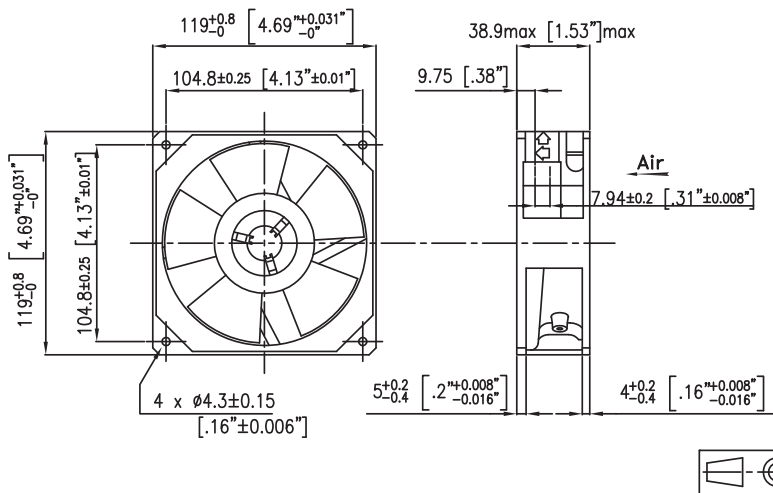
#### Options

- Speed sensor
- Other IP levels
- Flying leads connection
- Salt spray protection
- Shocks and vibrations protection
- Marine application
- Wide temperature range
- Other voltages
- Dual voltage 115-230V

### ELECTRICAL AND AERAULIC DATA

Part Number	Voltage	Frequency	Nb Phases	Airflow		Pressure		Nominal speed RPM	Noise level LP dBA	Nominal current mA	Starting current mA	power W	Capacitor µF
	V	Hz		l/s	CFM	mm H <sub>2</sub> o	inch H <sub>2</sub> o						
125XL0182001	115	50	1	25,00	53,00	2,20	0,09	1600	30	135	145	12,00	
	115	60	1	27,00	57,24	2,40	0,09	1750	32	115	125	10,00	
125XL0181001	220	50	1	25,00	53,00	2,20	0,09	1600	30	75	90	12,00	
	220	60	1	27,00	57,24	2,40	0,09	1750	32	65	75	10,00	
125LG0182001	115	50	1	35,00	74,20	5,00	0,20	2200	38	200	260	16,00	
	115	60	1	40,00	84,80	5,50	0,22	2500	41	160	220	13,00	
125LG0181001	220	50	1	35,00	74,20	5,00	0,20	2200	38	110	140	18,00	
	220	60	1	40,00	84,80	5,50	0,22	2500	41	90	120	15,00	
125XR0182001	115	50	1	44,00	93,28	9,50	0,37	2800	44	200	310	16,00	
	115	60	1	53,00	112,36	10,50	0,41	3200	48	180	260	15,00	
125XR0181001	220	50	1	44,00	93,28	9,50	0,37	2800	44	125	170	18,00	
	220	60	1	53,00	112,36	10,50	0,41	3200	48	105	150	15,00	

### DRAWING AND AIRFLOW CURVE



Non contractual document. All specifications are subject to change without prior notice. For professional use only. Please refer to the conditions of use of our catalogue.