

Size Range 120 x 120 x 38 mm 4,72 x 4,72 x 1,5 " EC AXIAL FAN

TECHNICAL DATA

Characteristics

- Weight: 0,33 Kg / 0,73 Lb
- Housing in plastic UL 94 V-0
- Turbine in plastic UL 94 V-0
- L-10 life expectancy at 40°C: 80.000 hours
- Operating temperature range: -20 / +70 °C
- Storage temperature: -40 / +70°C
- Connection: Leads
- Integrated circuit
- IP20
- PWM

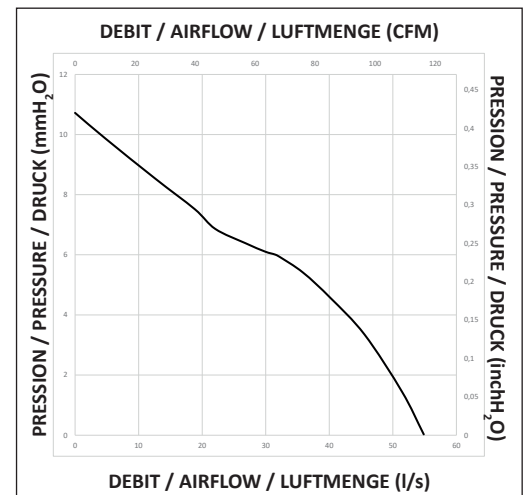
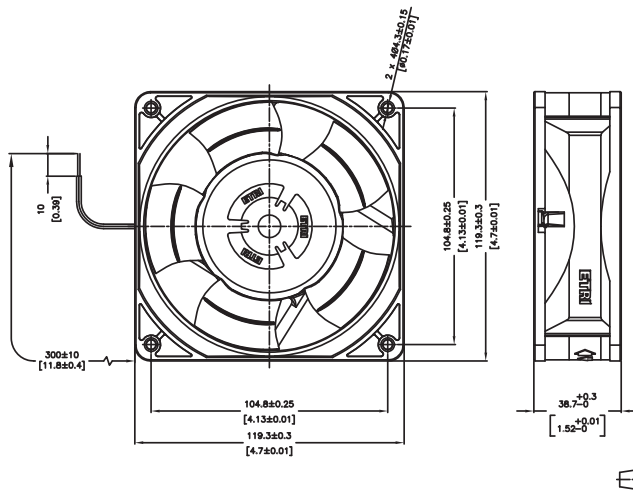
Options

- Speed sensor
- Alarm
- Other IP levels
- Salt spray protection
- Shocks and vibrations protection

ELECTRICAL AND AERAILIC DATA

| Part Number | Voltage range | Frequency | Airflow | | Pressure | | Nominal speed | Noise level LP | Nominal current | power |
|---------------|---------------|-----------|---------|--------|---------------------|-----------------------|---------------|----------------|-----------------|-------|
| | V | Hz | l/s | CFM | mm H ₂ o | inch H ₂ o | RPM | dBA | A | W |
| 125ESZLP11600 | 85-265 | 50/60 | 54,70 | 115,96 | 11,22 | 0,44 | 3480 | 53 | 0,08/0,15 | 8,00 |

DRAWING AND AIRFLOW CURVE



Non contractual document. All specifications are subject to change without prior notice. For professional use only. Please refer to the conditions of use of our catalogue.