



Size Range 172 x 150 x 38 mm 6,77 x 5,9 x 1,5 "
400Hz AXIAL FAN

TECHNICAL DATA

Characteristics

- Weight: 0,775 Kg / 1,71 Lb
- Housing in Aluminium
- Helice in plastic
- L-10 life expectancy at 40°C: 35.000 hours
- Operating temperature range: -10 / +70 °C
- Storage temperature: -54 / +85°C
- Connection: Leads
- GAM T1 listed
- IP20

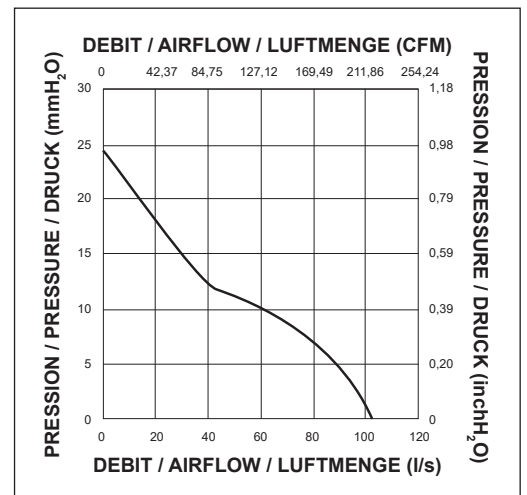
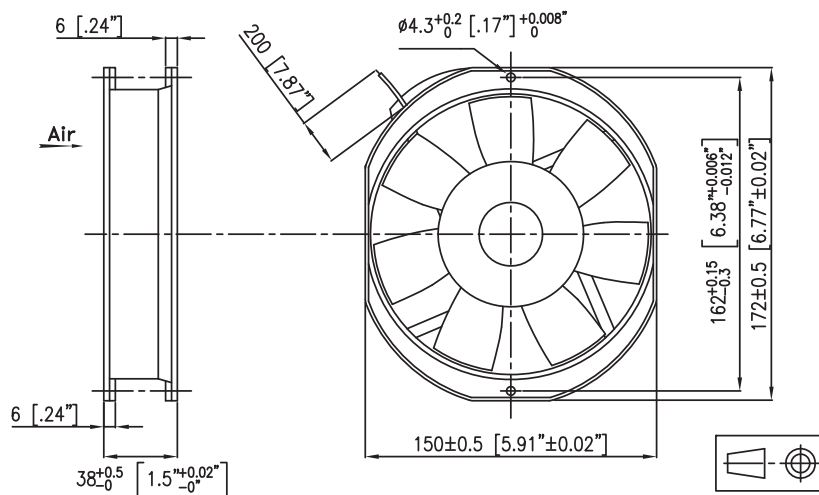
Options

- Salt spray protection
- Shocks and vibrations protection
- Marine application
- Wide temperature range
- Other voltages
- NATO Codification (not on all part numbers, please consult the factory for more detailed information)

ELECTRICAL AND AERAILIC DATA

Part Number	Voltage	Frequency	Nb Phases	Airflow		Pressure		Nominal speed	Noise level LP	Nominal current	Starting current	power	Capacitor
				l/s	CFM	mm H ₂ o	inch H ₂ o						
121VY0162001 NR	115	400	1	103,00	218,36	24,00	0,94	3750	62	0,41	0,55	39,00	0,32
121VY0160001 NR	200	400	1	103,00	218,36	24,00	0,94	3750	62	0,35	0,49	39,00	0,10

DRAWING AND AIRFLOW CURVE



Non contractual document. All specifications are subject to change without prior notice. For professional use only. Please refer to the conditions of use of our catalogue.