



Size Range

172 x 150 x 38 mm 6,77 x 5,9 x 1,5 "  
BDC AXIAL FAN

### TECHNICAL DATA

#### Characteristics

- Weight: 0,77 Kg / 1,7 Lb
- Housing in ZAMAK
- Impeller in plastic UL 94 V-0
- L-10 life expectancy at 40°C: 80.000 hours
- Operating temperature range: -10 / +55 °C
- Storage temperature: -40 / +70°C
- Connection: Terminals
- Brushless DC motor
- Integrated circuit
- IP20

#### Options

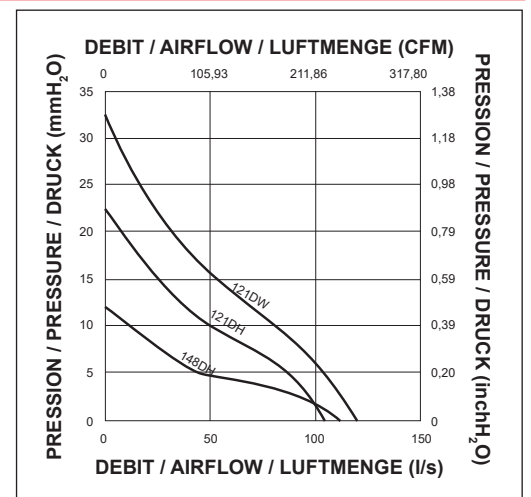
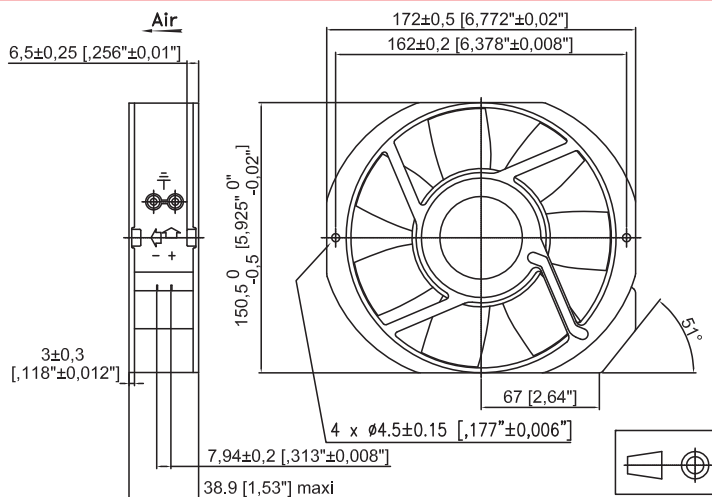
- Speed sensor
- Alarm
- Other IP levels
- Flying leads connection
- Salt spray protection
- Shocks and vibrations protection
- Marine application
- Wide temperature range
- Other voltages
- Others speeds

### ELECTRICAL AND AERAILIC DATA

Part Number	Voltage	Voltage range	Airflow		Pressure		Nominal speed	Noise level LP	Nominal current	power
	V		l/s	CFM	mm H <sub>2</sub> o	inch H <sub>2</sub> o	RPM	dBA	mA	W
121DH2TM11200*	24	19-28V	105,00	222,60	22,50	0,89	4000	62	958	23,00
148DH1TM11000	12	9-15V	110,00	233,20	12,50	0,49	3100	57	1080	13,00
148DH2TM11000	24	19-28V	112,00	237,44	12,00	0,47	3100	58	683	16,40
148DH4TM11000	48	40-57V	112,00	237,44	12,00	0,47	3100	58	340	16,30
148DH9TM11000	110	76-140V	112,00	237,44	12,00	0,47	3100	58	122	13,40
121DW2TM11200*	24	19-26,5V	120,00	254,40	32,51	1,28	4650	66	1250	30,00
121DW9TM11200*	28	19-31V	120,00	254,40	32,50	1,28	4650	66	1071	30,00

\*121D are not UL listed

### DRAWING AND AIRFLOW CURVE



Non contractual document. All specifications are subject to change without prior notice. For professional use only. Please refer to the conditions of use of our catalogue.