



Size 239,5 x 109 mm 9,43 x 4,29 "
 Range 400Hz HIGH PERFORMANCES AXIAL FAN

TECHNICAL DATA

Characteristics

- Weight: 4,7 Kg / 10,39 Lb
- Housing in Aluminium
- Impeller in metal
- L-10 life expectancy at 40°C: 25.000 hours
- Operating temperature range: -10 / +70 °C
- Storage temperature: -54 / +85°C
- Connection: Leads
- IP40

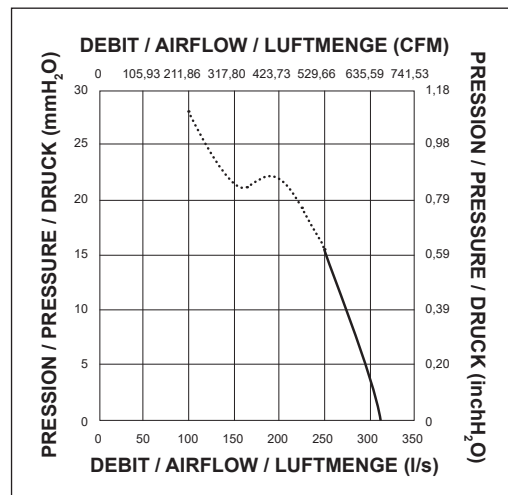
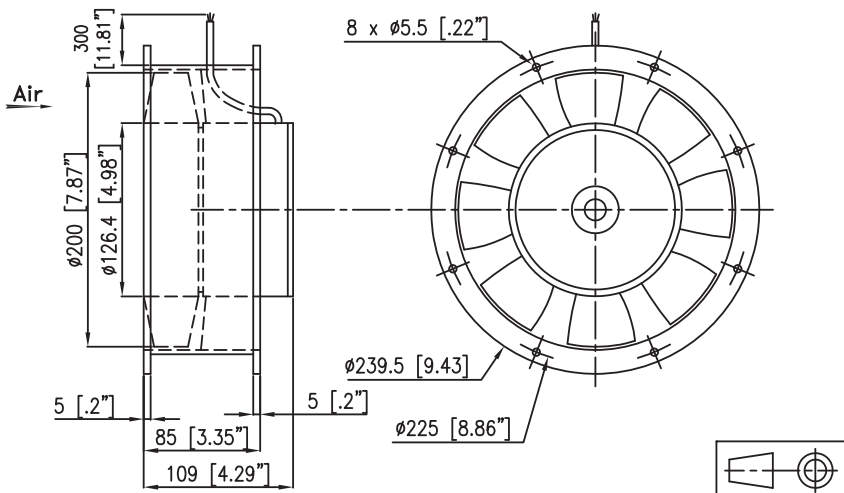
Options

- Speed sensor
- Other IP levels
- Salt spray protection
- Shocks and vibrations protection
- Marine application
- Wide temperature range
- Other voltages
- Safety switch
- Terminal block
- NATO Codification (not on all part numbers, please consult the factory for more detailed information)

ELECTRICAL AND AERAILIC DATA

Part Number	Voltage	Frequency	Nb Phases	Airflow		Pres- sure		Nominal speed RPM	Noise level LP dBA	Nominal current A	Starting current A	power W	Capacitor µF
	V	Hz		l/s	CFM	mm H ₂ o	inch H ₂ o						
61BE0162C13 NR	115	400	3	310,00	657,20	47,00	1,85	3500	68	1,80	3,65	126,00	5,70
	115	400	1	310,00	657,20	47,00	1,85						
61BE0160C13 NR	200	400	3	310,00	657,20	47,00	1,85	3500	68	1,03	2,10	126,00	2,00
	200	400	1	310,00	657,20	47,00	1,85						

DRAWING AND AIRFLOW CURVE



Non contractual document. All specifications are subject to change without prior notice. For professional use only. Please refer to the conditions of use of our catalogue.